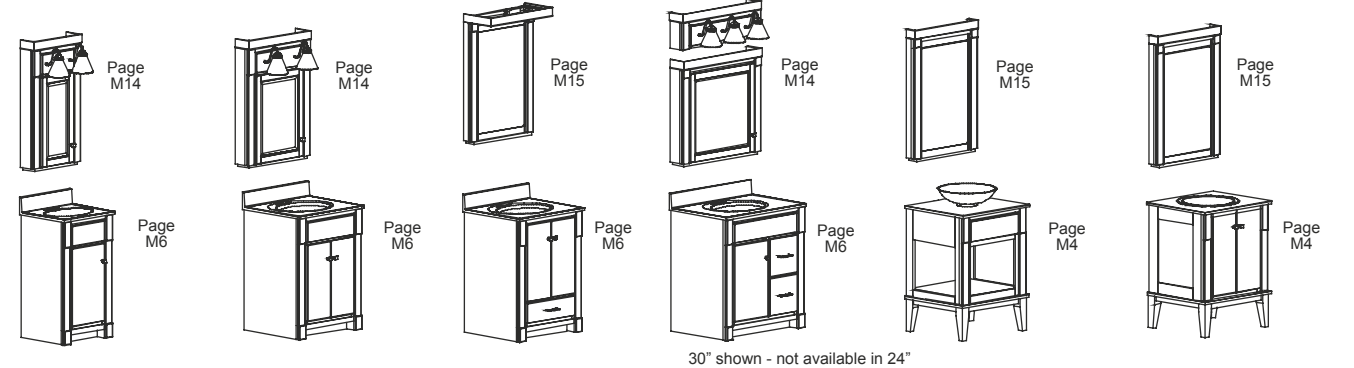


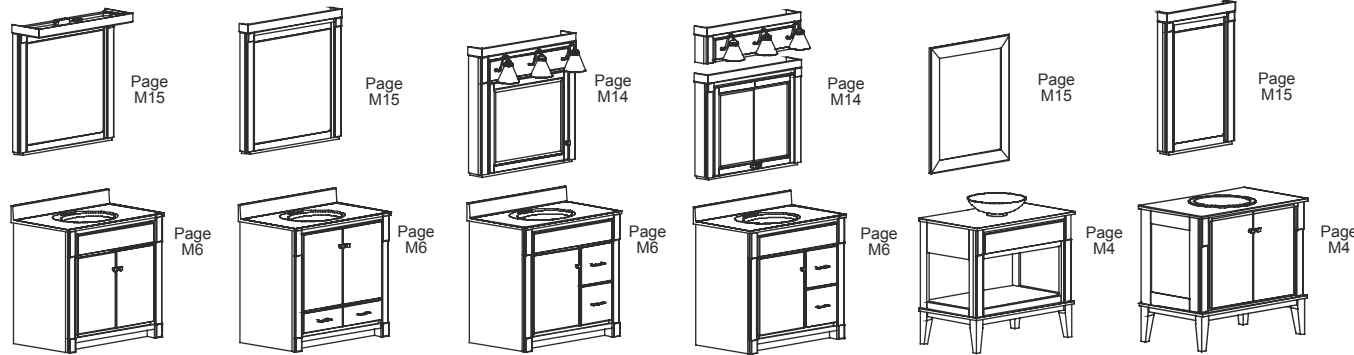
Pictorial Table of Contents

Example Ensembles: The ensembles shown are some of our frequently selected ones. When the drawing has a note below it of: "Not available in ___" - this is making reference to the vanity model. We have many more choices than these shown. Collection page number is shown next to drawing. 18" Example (below): The mirrored cabinet with light is on page M14 and the vanity is on page M6.

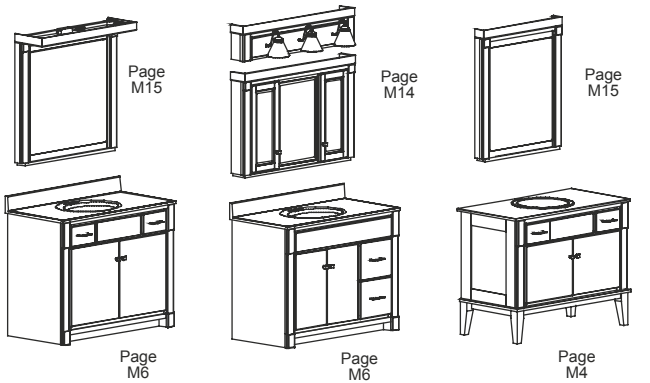
18" Ensemble 24" and 30" Ensembles (24" models are shown)



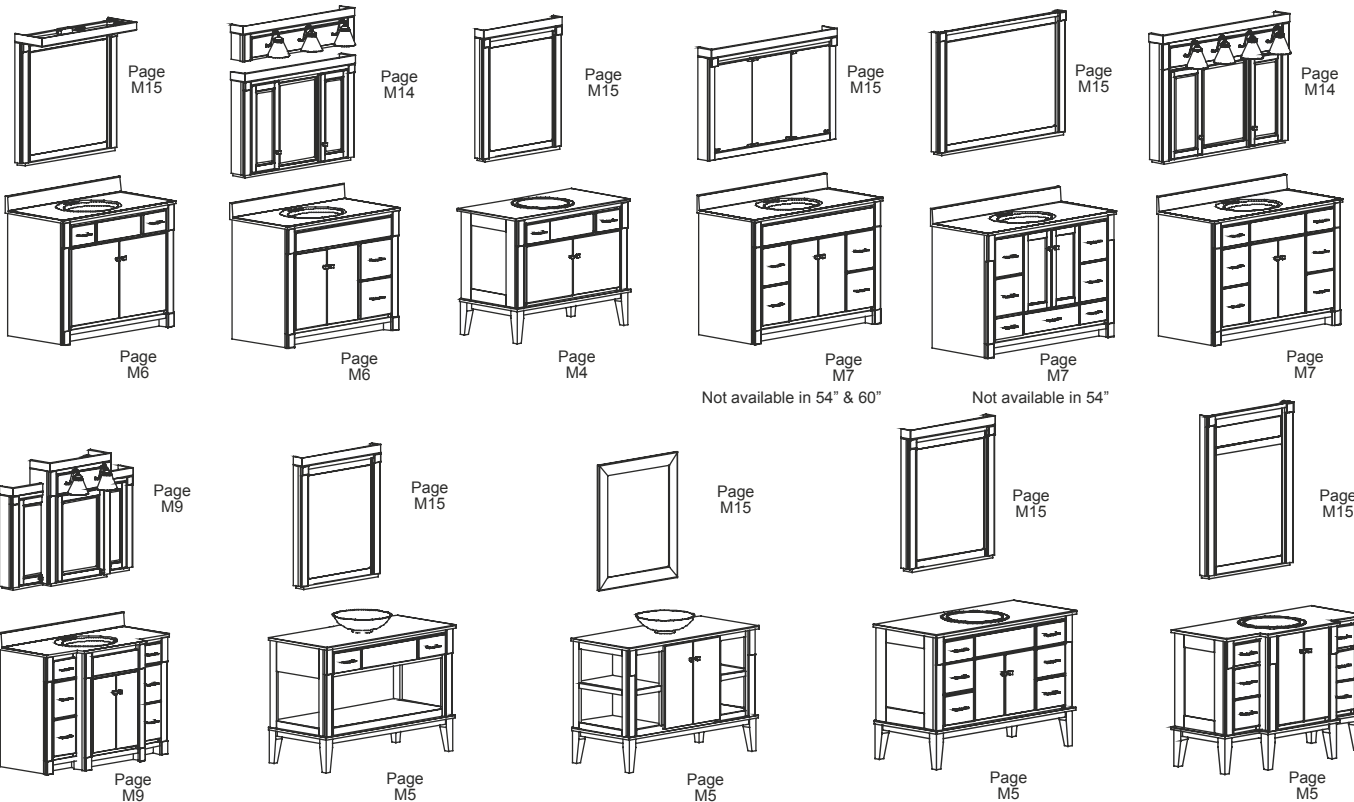
36" Ensembles



42" Ensembles

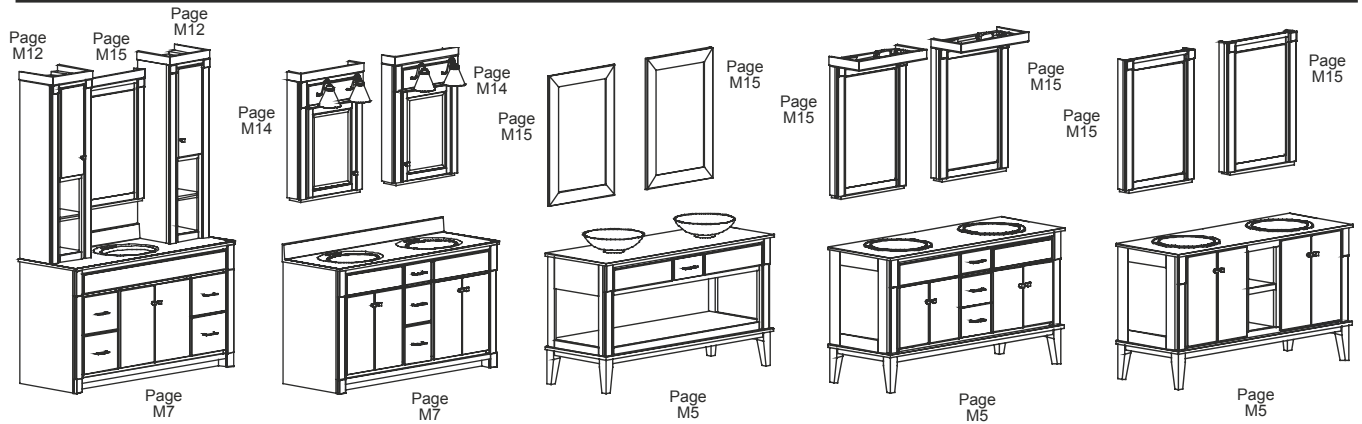


48", 54" and 60" Ensembles (48" models are shown)



Pictorial Table of Contents

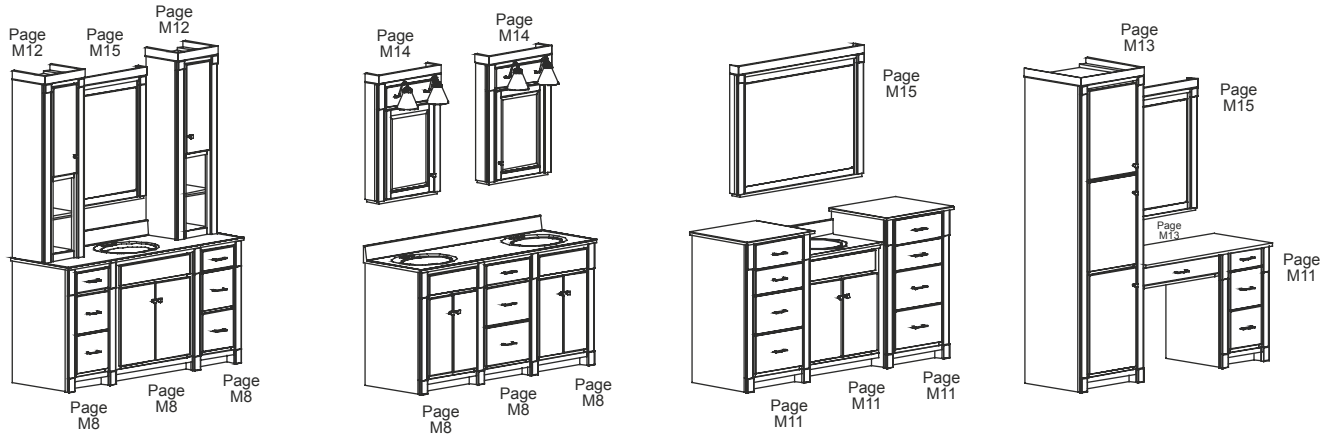
Additional 60" Ensembles



66" and 72" Ensembles (66" models are shown)

Base-to-Base Vanity Ensemble

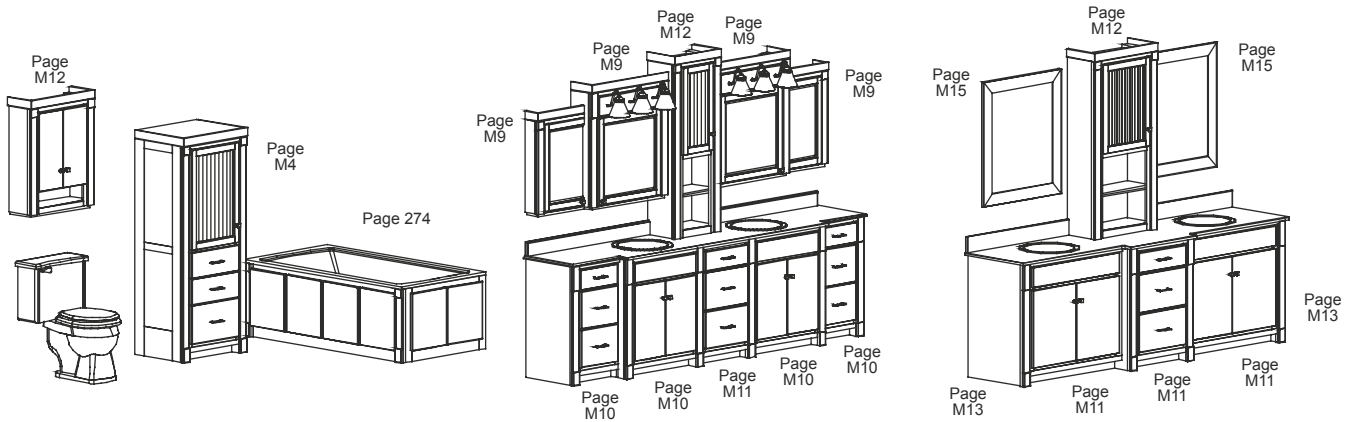
Linen Cabinet and Desk



Toilet Topper, Linen Tower & Tub Enclosure

Breakfronts Right Bowl, Left Bowl & Drawer Stack

Ensemble with Drawer Stack, Base-to-Base Vanities and Desk Ends



For Quartz, Wood, or Cultured Marble Vanity Tops, see pages 302-309.