

Installation Instructions

KITCHEN SINK / FARM SINK

Kitchen sinks / Farmhouse sinks require that a structure be provided beneath the sink that is strong enough to support the weight of the sink full of water (about 140 pounds). Either a shelf or supporting rails is suggested. The opening for the drain attachment must be considered when creating the supporting structure. We do not recommend a Garbage Disposal to be used.

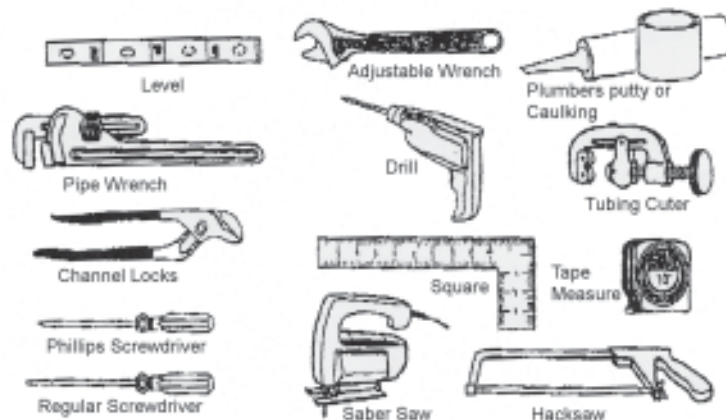
The sink is normally installed to project 1 - 2" from the cabinet front(except for some fluted models that are intended to install flush with the cabinetry) and completely under the counter material. The counter can cover some or all of the sink edge.

As the dimension of each sink can vary as much as 2% +/- due to the thickness of the fireclay, a template is not available. The cabinet front surrounding the sink should be cut to fit each particular sink. A squared box created for the sink is also acceptable, as the sink will conceal the gap between the sink and the cabinet once installed.

Overall, because each sink is crafted individually and can vary slightly in size, each installation is unique. Communication between the customer/designer and the cabinet/countertop installers is very important

All installation procedures must comply in strict accordance with applicable local plumbing and building codes.

TOOLS & MATERIALS RECOMMENDED



Caution:

Risk of chipping or breaking. Do not forget lying the unit on carpet or cardboard during installation. Dropping tools on the ceramic units should be avoided to eliminate any damage to vitreous china

Installation Instructions

KITCHEN SINK / FARM SINK (CONTINUATION)

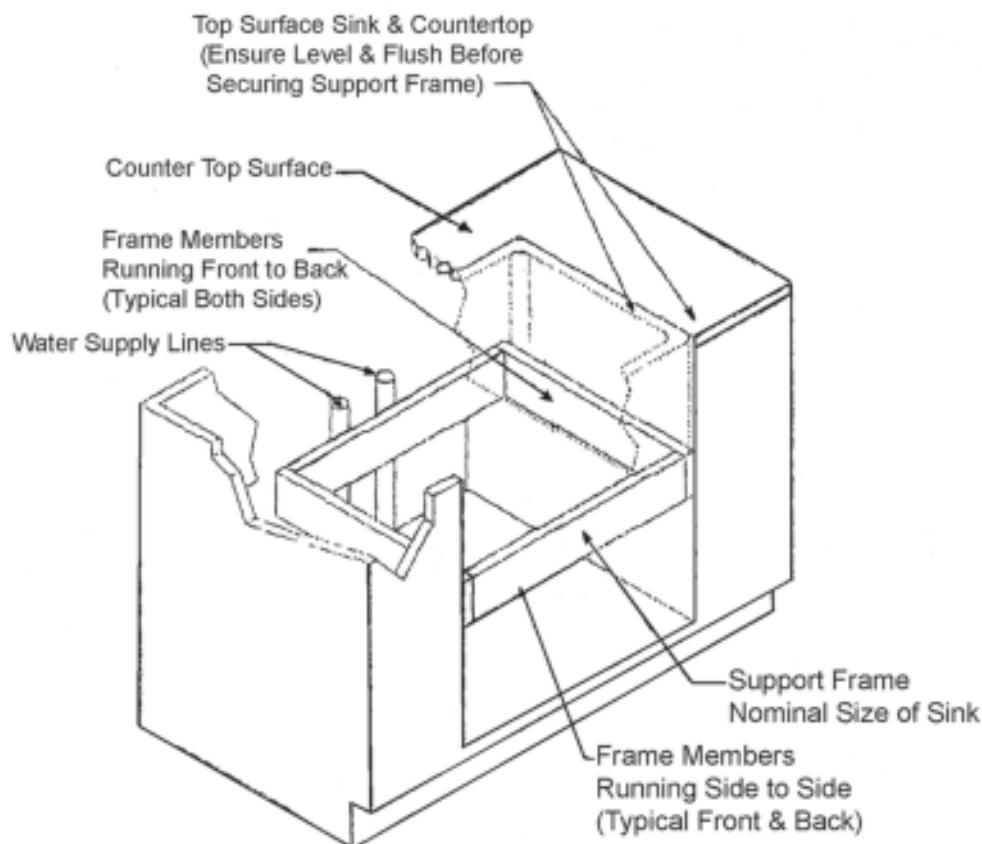
CABINET SUPPORT PREPARATION

This installation assumes the use of a custom cabinet and countertop design. It is not designed for use with standard base cabinets or standard counter tops. Installation must be performed by a professional cabinet maker and shall be in accordance with all local plumbing and building codes requirements.

STEP 1. Determine if the sink will be flush mounted or under countertop mounted. Next measure the actual size of the sink being installed to determine cabinet opening dimensions and support frame location. The cabinet opening should equal the maximum dimension of the sink to ensure a minimum gap between the sink apron and the cabinet. Support frame location is determined by type of sink installation being performed.

STEP 2. Construct a support frame to fit inside the cabinet opening. Ensure you provide proper clearance for faucet, water supply lines, drain assembly, garbage disposal mounting system and the structural parts of the cabinet.

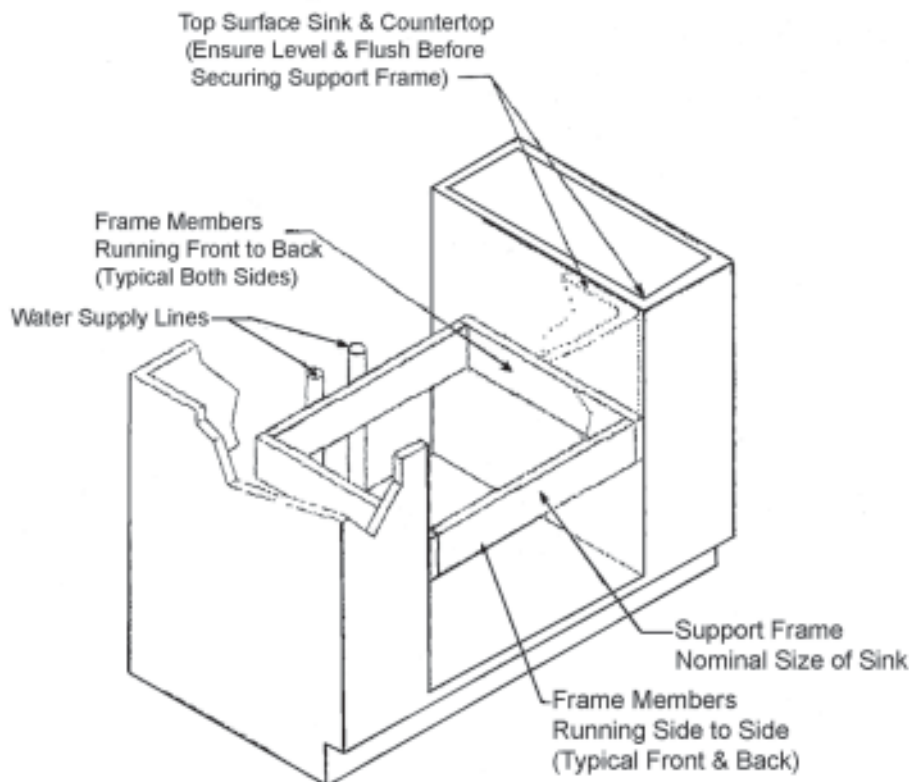
Flush Mount Installation Note: Ensure to install the support frame so that the top rim of the sink, (when placed within the frame), will be level and flush with the top surface of the countertop, (when countertop is installed). See diagram below.



Installation Instructions

KITCHEN SINK / FARM SINK (continuation)

Under Countertop Mount Installation Note : Ensure to install the support frame so that the top rim of the sink, (when placed within the frame), will be level and flush with the top surface of the cabinet. (Top of sink rim must be flush and level with top of cabinet in order to obtain proper contact with the underside of the countertop). See diagram below.



INSTALLING SINK

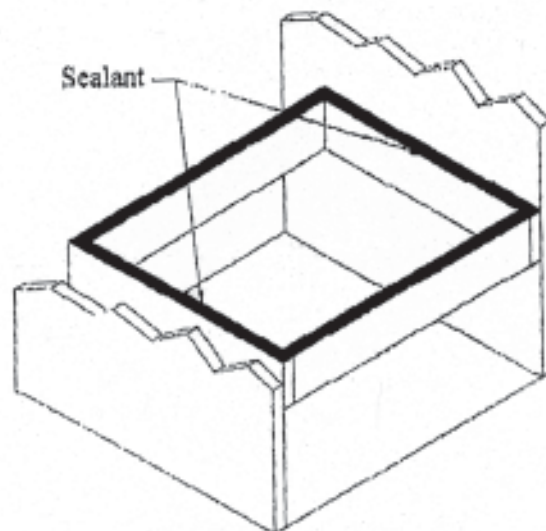
CAUTION: Sinks are extremely heavy. For personal safety, always use extra personnel for installation.

STEP 1. Carefully set the sink within the support frame and position in center of cabinet opening. If flush mounted ensure that the sink top rim surface is level and flush with the countertop top surface, (when countertop is installed). If under countertop mounted ensure that the sink top rim is level and flush with the cabinet top surface. Check clearance around sink apron and ensure sink is centered within cabinet opening. Ensure sink base is making proper contact with support frame. Adjust or shim as needed to obtain proper sink position.

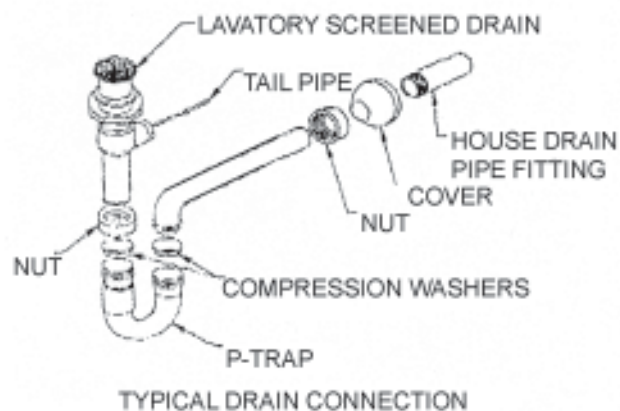
Installation Instructions

KITCHEN SINK / FARM SINK (continuation)

STEP 2. Carefully remove sink and place a thin layer of sealant around top edge of support frame where the sink and frame will make contact. Then place sink back into position. See diagram below



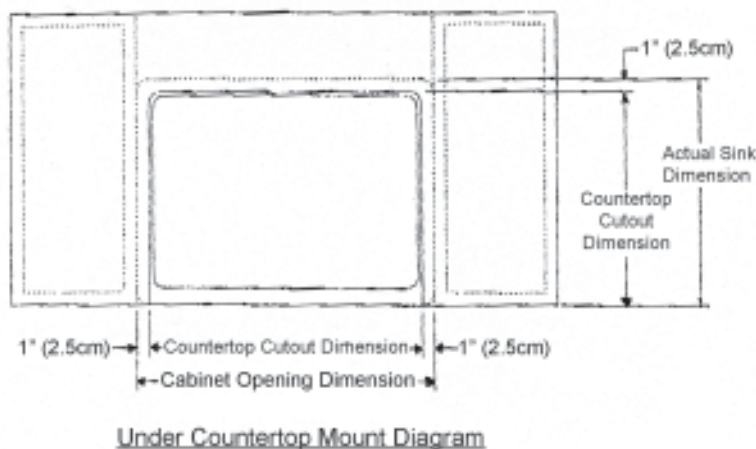
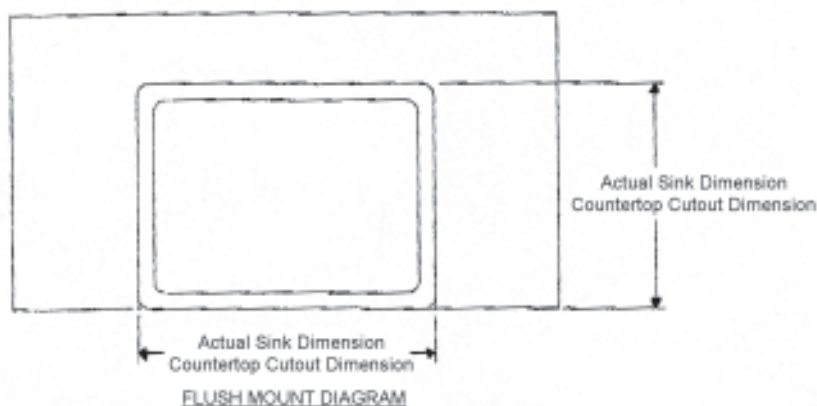
STEP 3. Assemble and install P-trap drain connections in accordance with manufacturer's instructions. We do not recommend the use of Garbage Disposals.



Installation Instructions

KITCHEN SINK / FARM SINK (continuation)

STEP 4. Using a carpenter's square carefully measure and mark the location of the cutout opening in the countertop. Flush mount cutout opening is determined from the actual sink size. The cutout opening should equal the maximum dimension of the sink to ensure a minimum gap between the sink and the countertop opening. Under countertop mount cutout opening is determined by cabinet opening and should be 1" (2.5cm) smaller than the cabinet opening on the sides and from back of sink apron. Carefully cut out the countertop opening, which must be adequately finished and sealed to prevent damage from water absorption. See diagram below.

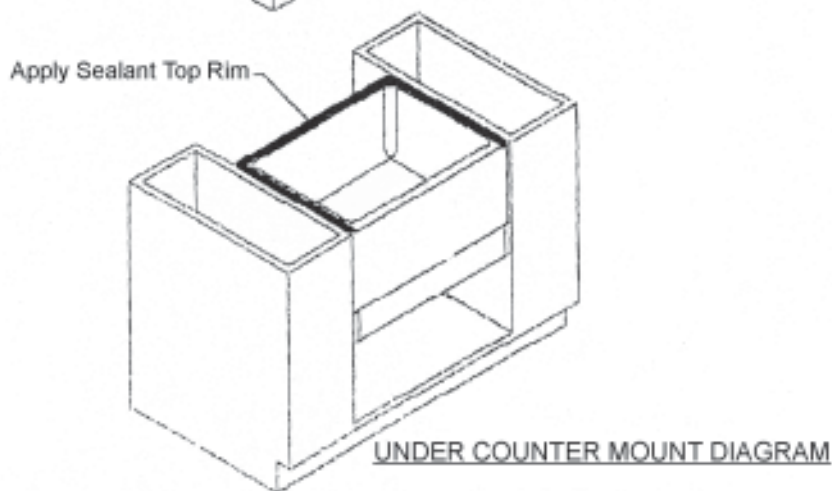
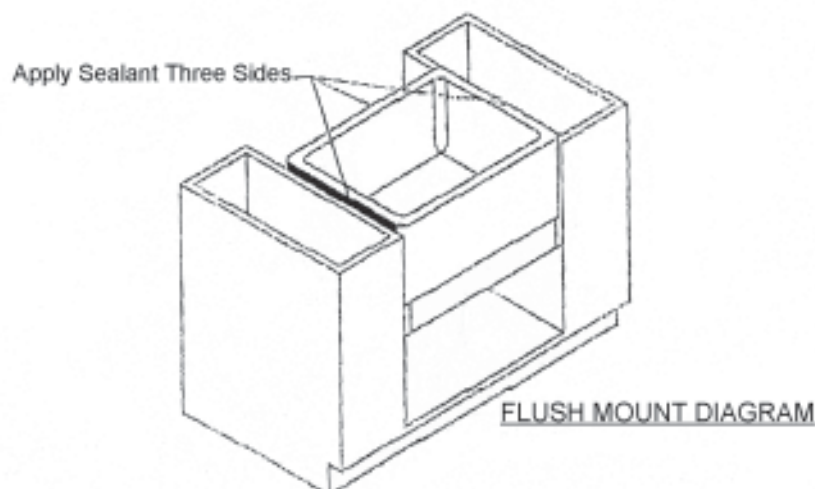


STEP 5. Carefully locate and install faucet to countertop in accordance with the manufacturer's instructions. Ensure you provide adequate clearance for supply lines and faucet operation.

Installation Instructions

KITCHEN SINK / FARM SINK (continuation)

STEP 6. Carefully wipe clean the sink apron and top rim free from all debris. Ensure that the surface on underside of countertop and around the countertop cutout opening is smooth and free of debris. Flush mount installation requires a generous bead of sealant around the sink apron where sink and countertop will meet. Under countertop installation requires a generous bead of sealant around the top rim where sink and countertop underside will make contact. See diagram below.



STEP 7. Carefully position and install the countertop. Ensure the sealant provides a complete seal between the sink and the countertop surface. Fill any voids and wipe excess away with soft damp cloth.

STEP 8. Connect supply lines to shutoff valves. Turn on water supply valves and water-test installation.