



WARNING: Improper installation, adjustment, alteration, service or maintenance can cause injury or property damage. Refer to this manual. For assistance or additional information consult a qualified installer, service agency or the gas supplier.



Danby®

Model DPR2262W

Caring for Gas Refrigerator

FOR YOUR SAFETY IF YOU SMELL GAS

1. Open windows.
2. Don't touch electrical switches.
3. Extinguish any open flame.
4. Immediately turn off gas supply and call your gas supplier.

FOR YOUR SAFETY

Do not store or use gasoline or other flammable vapors and liquids in the vicinity of this or any other appliance.



AVERTISSEMENT: Des installations non-appropriées, des ajustements, des altérations, des travaux ou entretiens peuvent causer des dommages ou préjudices à la qualité du produit. Consultez donc le manuel. Pour une aide ou des renseignements complémentaires, appelez un installateur qualifié, une agence de services ou un fournisseur de gaz.



Danby®

Modèle DPR2262W

Entretien du Réfrigérateur à Gaz

PAR MESURE DE SÉCURITÉ, SI VOUS DÉTECTEZ UNE ODEUR DE GAZ

1. Ouvrez les fenêtres.
2. Ne touchez pas d'interrupteurs électriques.
3. Éteignez toute flamme.
4. Coupez immédiatement l'arrivée de gaz et appelez le fournisseur de gaz.

PAR MESURE DE SÉCURITÉ

Ne remisez ni essence ni autres produits inflammables à proximité de tout appareil à gaz.

ENGLISH

1. Introduction

We are pleased to add you to the growing number of satisfied users of gas refrigerators all over the world and we sincerely believe that you will receive many years of dependable service from your investment.

If you are a first-time owner or user of an absorption Refrigerator, the simple rules outlined in this manual will help you to enjoy troublefree refrigeration. We suggest that you become familiar with your new Refrigerator by reading through this manual, and then affix it adjacently to the appliance for future reference.

Having been tested by the American Gas Association and the Canadian Gas Association Laboratories, in compliance with ANSI Z21.19b and CAN/CGA - 1-4 - M91, your Refrigerator meets all the safety, quality and performance requirements as exacted by those standards.

Safety Symbols

DANGER

If not avoided, this situation will result in death or serious injury.

WARNING

If not avoided, this situation may result in death or serious injury.

ATTENTION

If not avoided, this situation might result in light to moderate injury.

2. First Steps

Upon receiving your Refrigerator, please check:

- If damage has occurred during shipment;
- That the doors open and close freely;
- That the door seals are tight throughout their entire contour;
- That the accessories (see Parts List) are in perfect working condition.

In case of trouble, please contact your dealer.

The Refrigerator is attached to a wooden base by four bolts. These may be removed as follows, Fig. B:

- Withdraw from the Refrigerator the bag containing plastic caps and spacers;
- Lay the Refrigerator carefully on its back, with a suitable strip of wood (B3) under its lower edge:

- Remove the bolts (B1) and the wooden base (B2);
- Reinstall the bolts to half their length;
- Put the plastic caps over the bolt heads;
- Carefully lift the Refrigerator to its normal position;
- Assemble the plastic spacers, item (D9).

Clean the Refrigerator with a damp cloth and then wipe it dry with a clean cloth. If need be, use a mild detergent, but do not use cleaning compounds or other abrasive material.

Fit two ordinary 1.5 volt (size D) batteries in the lighting assembly (fig. A). Check its functioning: the light should go out before the door is completely closed.

2.1 Where to locate your Refrigerator

The Refrigerator must be installed on a flat and level floor, away from direct sunlight and from any object which may radiate heat. The location should be well ventilated but not drafty. Please also consider the following important requirements:

a)

WARNING



Never install your Refrigerator directly on carpets or next to flammable materials (such as curtains or wall paper)

- b) The Refrigerator must be installed with the following minimum clearances.
- | | | |
|--------------------|-------|-------|
| Right side and top | 6 in. | 150mm |
| Left side and rear | 0 in. | 0mm |
- c) If the Refrigerator is to be built-in, please refer to the specifications (item 8) for enclosure dimensions.
- d) Keep appliance area clear and free from combustible materials, gasoline and other flammable vapors and liquids.
- e) Do not obstruct the flow of combustion and ventilation air.

Place the Refrigerator in the selected location contacting the rear wall and the wall at the left (if any).

The Refrigerator is now ready to be leveled and connected to the propane outlet. We recommend that these jobs, as well as the eventual inversion of the door hinges, be entrusted to qualified service personnel for whom the following item was conceived. It might be helpful at this point to read also Technical Description, item 6.

WARNING

If ventilation in the room is not adequate, the Refrigerator may produce carbon monoxide. The inhalation of that gas, which has no odor and color, may cause dizziness, nausea, and in extreme cases even death.

2.2 Door Hinging

If you need to change the door hinging to facilitate access into the Refrigerator proceed as follows;

- Remove console (F5).
- Remove upper plastic hinge cover (F1).
- Remove upper hinge (F2) using 5/16" nut driver.
- Remove Freezer door.
- Remove middle right hinge and plastic spacer (F3) using 5/16" nut driver.
- Remove large Refrigerator door.
- Remove lower hinge (F4). Watch for rear support plate to become loose and fall.
- From top left of Refrigerator, remove 3 hinge plastic slot caps and place them into right side slots.
- Remove door caps and sealings. Placing them back on the opposite side (left/right or vice versa).
- Lay the Refrigerator on its back (coil side) to access the bottom panel area.
- Remove grey piezo ignitor (C5), temperature control (C2) and gas control (C3) knobs from white bushings.
- Using pliers, carefully bend and remove split pins from white bushings. Remove bushings from control rods.
- Using 1/4" nut driver, remove screws (10) from grey steel support panel. Push support panel down to access hinge placement area.
- Prepare to reset lower hinge on opposite side by holding rear support plate while mounting lower hinge (F4) to cabinet.
- Fit Refrigerator door onto lower hinge.
- Reset left middle hinge and plastic spacer (this part is supplied with the Refrigerator parts bag).
- Fit Freezer door onto left middle hinge.
- Stand Refrigerator back up.
- Regulate door alignment to obtain perfect sealing all around magnetic door seals.
- Replace upper hinge cap.
- Using pliers, remove plastic portion from left side of console to accommodate lower hinge (see fig. F). Area to be removed is outlined on plastic inner side of console.
- Reattach console, checking the correct alignment of the flame indicator rod on all supports.

2.3 Installing the Refrigerator

This Refrigerator must be installed in accordance with local codes or installation must comply with:

- The National Fuel Gas Code, ANS Z223.1 in the USA.
- Installation Code for Propane Burning Appliances and Equipment CAN/CGA B149 in Canada.
- This Refrigerator is only designed for domestic use. It is your total responsibility if you intend to use it in trailer.

To ensure uninterrupted operation, we recommend that the gas supply system be fed from two gas cylinders, with an automatic switchover device. The specified fuel is propane and the supply pressure must be 11 inches (280mm) water column. The Refrigerator must be connected with copper or other acceptable tubing of sufficient diameter to avoid a pressure drop of more than one inch (25 mm) water gauge up to the Refrigerator inlet, even with other gas-operated appliances (such as heaters, and the like) operating from the same system.

- The appliance and its individual shut off valve must be disconnected from the gas supply piping system during any pressure testing of that system at test pressures in excess of 1/2 psig (3,5 kPa).
- The appliance must be isolated from the gas supply piping system by closing its individual manual shut off valve during any pressure testing of the gas supply piping system at test pressures equal to or less than 1/2 psig (3,5 kPa).

To install the Refrigerator:

- If necessary, install a metal or wood panel over the floor as recommended in item 2.1. (b).
- Disassemble the burner box (D8).
- Place the Refrigerator in its definite position. Turn the bolts (B1) until the Refrigerator is level. Remove it again from its location.
- Connect the gas supply to the manual shut off valve (D13). Use a certified flexible type metal connector of sufficient length.
- Connect a pressure gauge at the plug (G5) of the controls.

Now check the operation:

- Operate the Refrigerator according to the instructions (F6) and allow it to work for at least 30 minutes.
- During this period, check the connections for leaks, from the gas inlet to the orifice spud, using a detergent and water solution.
- Check the reading of the pressure gauge. With no other gas appliance operating it should not pass 11" water gauge. With other appliances operating it should not fall below 10".
- Check the operation of the flame-failure device as indicated under "Technical Description", item 6.3.
- With a mirror (17) beneath the flame tube (14), make sure that the flame color is blue. It should not reach the tip of the baffle (15), which will normally be slightly aglow.
- Turn off the gas at the control (C3) leaving the manual shut off valve (D13) open. Replace the plug (G5).
- Replace the burner box (D8).

ATTENTION

Check whether the flame is centered in relation to the heater pipe (chimney). If it is not, turn the product off and call a service agency. Do not run the Refrigerator under this circumstance. See detail in figure 1.

Now install the Refrigerator in the selected location:

- Put the Refrigerator in place making sure that the flexible connector does not kink.

3. Controls

All controls are placed on the console located at the basis of the Refrigerator and are connected to the control devices located in the Refrigerator's back. (See fig. C and D).

4. Gas Installation

Gas must be supplied by a 3/8" copper pipe free from sharp-corner curves, mounted on the conical coupling connected to the manual shut off valve.

This feed-pipe must be placed so as to avoid damage when the Refrigerator is removed from its compartment.

When connecting the Refrigerator to the gas supply use a pressure control valve in the propane gas bottle. Never connect the propane gas bottle directly to the Refrigerator.

ATTENTION

Use propane gas only. As propane gas is highly flammable, it is extremely important to check the effective sealing of all joints, from bottle to Refrigerator.

WARNING

After installation, the gas supply must be turned on and all pipe joints checked for leakage, from propane gas bottle to the burner, using a water/soap solution. Never use flame to test for gas leakage.

Note: Any servicing of gas pipes can only be performed by an authorized dealer. Should you detect any irregular gas pressure or installation, contact you dealer or an authorized workshop. The owner must never perform any tasks that require the loosening of gas pipes.

5. How to get the best out of your Refrigerator

5.1 How to make it work (Fig. C) (Lighting instructions)

With the Refrigerator correctly installed, gas supply connected and manual shut off valve open, the following must be done to make it work:

- Turn the thermostat knob (C2) to the coldest setting (C8).

- Place the selector knob (C3) to the open position (C4) by depressing and then turning it.
- Depress (C3) and hold it depressed while actuating the piezo-igniter (C5) a few times or until the flame lights

ATTENTION

When trying to light the flame, press the selector valve button for more than 10 seconds.

- The sparks can be seen through the light conductor (C1) which will light up as soon as the burner goes on. If there are no sparks see under "Trouble-shooting".
 - Hold (C3) it depressed for another five seconds. Then release, checking that flame stays on.
- If the flame goes out, repeat the procedure, or consult item Trouble-shooting.
- Next day: set the thermostat knob to the defrost position (C6) for at least five minutes checking that the flame does not go out.
 - Set the thermostat to within its normal range (C7).

5.2 Absorption Refrigerators are different...

The operation of an absorption Refrigerator is noiseless and, therefore, one can not tell whether it is working by simply listening. Within one hour, however, the bottom of the frozen food compartment should begin to get cold. Pulldown to operating temperature takes from six to twelve hours, depending on room temperature. We suggest that the Refrigerator be left empty during the first few hours of operation.

Also later on, avoid placing too much food in the Refrigerator at one time:

- Store perishables first, leaving other foodstuffs for later.
- Store larger amounts preferably in the evening, not more than 10 lbs (5 kilos) at a time.
- Allow hot food to cool down before placing it in the Refrigerator.
- Avoid keeping the doors open for more than is strictly necessary.

WARNING



Do not store flammable substances such as gasoline and kerosene in your Refrigerator to avoid the risk of explosion and fire.

Important

- During normal operating conditions, the thermostat (C2) should be set within the segmented range (C7). On very hot days, or when the Refrigerator is being used frequently, set the thermostat to the coldest portion of the range.

At room temperatures under 60°F (16°C), there is a risk that the temperature in the main compartment will drop below freezing point, even with the thermostat at the warmest setting.

5.3 How to make ice

The Refrigerator is supplied with three plastic ice trays. Fill these with water to no more than the brim of the internal separators. Arrange the trays one beside the other at the bottom of the frozen food compartment. A little water spread over the bottom will improve thermal contact between the trays and the plate.

If you start the freezing in the evening, there will be 3 lbs (1,360 grams) of ice available the following morning. Store the ice in the trays or in a separate container in the compartment.

5.4 Frozen food compartment

In addition to making ice, you can also store frozen food in the upper compartment. How long food can be kept without loss of quality depends on its nature and on the storage temperature.

This temperature is not influenced by the thermostat setting, nor by the use made of the main compartment. Even with the thermostat set to defrost, the temperature will be suitable for the preservation of frozen food. The temperature does vary, however, with room temperature: At up to 90°F (32°C) the compartment will maintain 0°F (-18°C) or better and at 110°F (43°C) it will still maintain 15°F (-9°C).

The temperature does not vary to any great extent from one point to another within the compartment, but it is somewhat lower at the bottom left. Obviously, this will be the best place to store the more sensitive food. When frozen food is being stored in the compartment it is advisable to make ice in only one tray at a time, placing it at the bottom right.

The compartment is basically designed to store frozen food, though it can also be used to freeze limited amounts of unfrozen food. In this case, it can handle up to 3 lbs (about 1.5 kilos) per 24 hour period, at ambient temperatures up to 90°F (32°C).

After proper packaging:

- Allow any hot food to cool down to room temperature outside the Refrigerator.
- When at room temperature, the food should be placed in the main compartment of the Refrigerator, to precool for a few hours.
- Later on, preferably in the evening, place the food in contact with the bottom of the upper compartment.

5.5. Defrosting

After a time ice will begin to collect on the fins of the evaporator (E1), to a point where it will reduce the efficiency of the Refrigerator. This is why the Refrigerator needs to be defrosted periodically. The interval between two defrosting operations can vary considerably: from one week to more than a month, depending on the climate and the extent to which the Refrigerator is used.

We recommend defrosting whenever 50 per cent of the space between the fins is taken up by ice. Check the upper portion of the left hand fins, where the ice is inclined to collect more quickly.

To defrost you do not have to remove food from the main compartment or from the Freezer.

Simply set the thermostat knob (C2) to the "defrost" position (C6), and leave it for a couple of hours.

The Refrigerator will continue to work on a low flame to provide refrigeration for the Freezer.

The ice on the fins will melt and run through a drain to the rear of the Refrigerator and into a number of small containers (D5) where it will evaporate.

Check the fins to make sure that they are free of ice (some ice remaining on the tube can be disregarded) and then adjust the thermostat to its usual setting. The Refrigerator will soon resume its normal operation.

The Freezer needs defrosting less frequently. To defrost, see under item 5.5.

⚠ WARNING

Never use knives or sharp objects to remove the ice layer. You may cause leakage in the ammonia system.

⚠ CAUTION

If the evaporator is heavily loaded with ice, defrosting must not be done as explained before, since the capacity of the container (D5) is limited to about one quart (one liter) and they might then overflow. In this case, follow the instructions given below.

5.6 Shutting down the Refrigerator (Fig. E)

The absorption Refrigerator is built to work continuously for many years. There are no moving parts and thus no friction. At times, however, it needs to be turned off:

- When it will not be used for some time - for a few weeks or more.
- When there is a large build-up of ice on the evaporator or in the frozen food storage compartment.

In such cases, the following procedure is recommended:

- Turn off the gas at the selector (C3) and remove all the foodstuffs.
- Remove all the loose components from the Refrigerator, such as racks, drawers, etc., including the batteries for the lighting.

- Turn the drip pan (E2) around so that the drain hole is towards the front and place a suitable container under it, to catch the runoff of melting ice.
- Leave the doors open until all the ice has melted down and then remove the container.

The melt-water from the upper compartment is drained down through (E5) to the drip pan.

- Wash the components with water and a mild detergent and then dry them.
- Clean the Refrigerator on the inside with a damp cloth and wipe it dry.
- Reassemble the components, turning the drip pan to its normal position.

If the Refrigerator is not to be used for some length of time, leave the doors ajar and do not reinstall the batteries in the lighting assembly.

6. Technical description

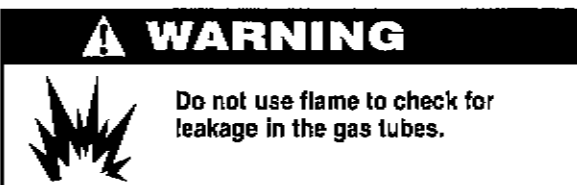
Before going into the subjects of maintenance and troubleshooting, we would like to provide a brief description on the functional units of the gas equipment, which will make for a better understanding of these items.

6.1 The gas equipment (Fig. D)

The gas connector (D14) is connected to a manual shut off valve (D13), normally to be left open (handle in alignment with the gas flow).

The valve (D13) is connected to the combination control valve (see following item) by a union (D15). If the Refrigerator is to be removed for maintenance or the like, close the valve and uncouple the union. The valve will keep the end of the connector sealed, thus maintaining the gas supply system operational.

To reconnect the Refrigerator, simply hook-up the union again, open the valve and use detergent to check for leaks at the union and adjoining fittings. The union should not be overtightened. Tighten firmly with the hand and then a further 10 or 20 degrees with an open-end wrench, or until there are no leaks.



6.2 Combination control valve (Fig. G)

The control has several functions. The inlet (G2) carries a gum filter to remove certain contaminants from the gas. After the filter comes a selector valve with its shaft (G3) with two positions: open or closed. Use this to turn off the Refrigerator, since it is not enough to turn the thermostat (G4) down to the warmest position.

Together with the selector comes the flame-failure device, connected by (G7) to the thermocouple (H1) at the burner. If the flame should go out for any reason, this will cut off the gas supply within about forty seconds, preventing further amounts of unburnt gas from escaping.

To light the burner, it is necessary to keep the gas supply open manually, by depressing (G3), until the flame ignites. Within 3 to 4 seconds, the flame will heat the thermocouple (H1) enough to hold the gas passage open.

6.3. Testing the flame-failure device (Fig. C)

The device is fail safe: any malfunction, such as poor electric contact, etc., will cause it to close. Even so, it must be checked for proper operation when the Refrigerator is first installed and then periodically later on (see under "Periodic Maintenance"). The following is to be done:

- Place the Refrigerator in operation with the thermostat set to the coldest position.
- Close and then immediately open the selector valve (C3).

The flame will go out but the gas supply will continue to flow.

- Listen carefully. In about 30 to 40 seconds you will hear a slight but very distinct "click" to signify that the valve has closed.

6.4 The thermostatic valve and the bypass (Fig. G)

The temperature is sensed via a copper capillary tube (G1) rising behind the Refrigerator (D3) and with the tip reaching into a receptacle on the evaporator (E1).

The temperature of the tip and the position of the shaft (G4) cause the passage of gas to the burner to open to a greater or lesser extent. When reinstalling the capillary tube after a repair, make sure that it fits properly into the receptacle and caulk the outlet (D2) with sealing compound.

Even when the thermostatic valve is closed, a small amount of gas still passes through to keep the flame alight and the Freezer compartment operating. This gas is metered by an orifice in the bypass screw (G6). The orifice is nonadjustable and the screw indicates the capacity.

6.5 Pressure outlet

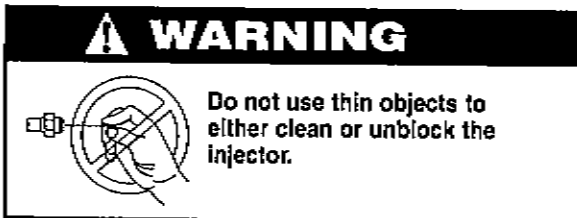
The plug (G5) can be removed and replaced by a pressure outlet coupled to a pressure gauge. With the Refrigerator operating and the thermostat adjusted to the coldest setting, the pressure should be the same as the supply pressure, or 11 inches (280 mm) water column.

If lower, from 1.1/2 to 3 inches (40 to 65mm), the sensing element is faulty and the combination control valve must be replaced.

Turning the thermostat knob to the warmest setting, you should see the pressure drop to the range between 1.1/2 and 3 inches water column (provided the tip of the capillary is 32°F (0°C) or colder). If it drops below 1.1/2 inches, the bypass orifice is clogged.

6.6 The burner (Fig. H)

The gas passes through an orifice drilled by a high precision laser beam in a tiny plate of ruby (H8) lodged at the tip of the orifice spud (H9). The size on the orifice is indicated by the digits (H7).



The orifice spud fits into a housing (H4) with ports for the primary air. Dust or lint present in the air is sucked in through the ports and collects behind the gauze (H2), slowly changing the character of the flame from blue, hard and low to yellow, soft and elongated. A growing yellow core is the first warning and before yellow tips appear or the flame reaches the baffle, the burner must be cleaned. See item Periodic Maintenance.

NOTE: The low flame normally has a yellow core. No yellow tips must appear however.

6.7 The igniter

The igniter (C5) is the piezoelectric type, which causes a high-voltage spark to jump between the electrode (H3) and the burner (H2). If it fails to operate, the fault may lay within the gamut of wellknown automotive spark plug problems, i.e. from too great a distance between electrode and burner, to creepage or poor electric contact. If such problems can be ruled out, the igniter should be exchanged.

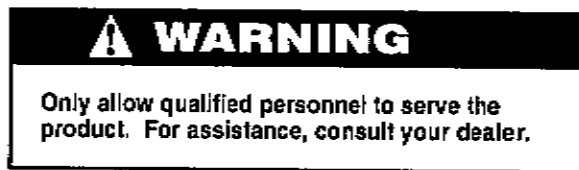


6.8 The flue tube (Fig. I)

The burner is located beneath the flue tube (I4). There is a baffle (I5) in the tube to improve heat transfer of the combustion gases, and also a choke (I3) to limit the excess air passing through the flue tube. The assembly (I2) is supported at the upper edge of the flue tube. Fitting over it is the flue extension (I1), fastened to the cooling unit.

7. Periodic maintenance and trouble-shooting

To maintain your Refrigerator safe and efficient we recommend you to carry out a simple program of preventive maintenance. This routine should be applied at least twice a year, preferably before a season of continued use and specially if the Refrigerator has been closed down for some time. During and after the maintenance service keep appliance area clear and free from combustible materials, gasoline and other flammable vapors and liquids. Also keep the flow of combustion and ventilation air unobstructed.



7.1 Checking the doors

First check the doors for unobstructed opening and closing, then check the magnetic seals. These should be clean, free from cracks or distortion, and sealing all the way round their contour. Otherwise, let your dealer replace them or adjust the door hinges.

7.2 Cleaning the parts at the rear of the Refrigerator

Move the Refrigerator away from its permanent position, making sure the flexible connector does not kink.

Dust that gathers behind the Refrigerator may clog the burner. Dust building up on the absorber.

(D11) and condenser (D1) of the cooling unit can lessen the heat transfer of these parts, impairing performance. Therefore, as a first step, remove the dust from the Refrigerator and the enclosure. Use a paintbrush to clean the condenser.

Check the tube (D12) for wetness and/or rust. This would be a sign that you are or have been operating the Refrigerator, with the thermostat at an excessively cold setting, which only increases gas consumption but does not improve the performance.

7.3 Device for drying up defrost water

This device comprises the drip pan (E2) beneath the evaporator, the drain to the rear of the refrigerator, and the water channel (D4) between the drain and the containers (D5). Clean the drain and the water channel by using, for example, a thin rod with a wad of cotton wool. If necessary, remove and clean the water containers. When reinstalling, note they are offset 180 degrees to one another.

7.4 The burner

Disassemble the burner box (D8) and proceed as follows:

- Clean the port (H5) and the mesh (H2) of the burner head with a suitable brush.
- If might be necessary to disassemble (H5) from the burner or even the burner from the cooling unit and blow back lint with a jet of air through the wire mesh.
- Clean and inspect the electrode (H3) and the thermocouple (H1). Replace if corroded. Check the attachment of these parts and tighten as required.
- Check the spark of the piezo-igniter. Also check the cable to the electrode.
- Clean the light conductor (F7) and the reflector in (D8) with a soft cloth.

7.5. Cleaning the flue tube (Fig. I)

- Cover the burner with a cloth. Loosen and remove the flue extension (I1).
- Remove the baffle assembly (I2). Clean and inspect this assembly.

⚠ CAUTION

The baffle may contain burnt dust and light surface corrosion. The tip, however, must be intact, not corroded. Soot must not be present, as this is a sign of incomplete combustion. Should this occur, please contact your dealer.

- Run the brush (D10) through the flame tube. Soot must not appear.
- Reassemble the baffle, if necessary checking its extension (Fig I).
- Assemble the flue extension, making sure the wire of the baffle fits into the slot in same.
- Remove the cloth from the burner and reinstall the burner box.

Now check the operation.

- Turn on the Refrigerator and examine the flame. It should be sharp and blue.
- Check the flame-failure device as indicated in item 6.3.
- Check the union and adjacent gas fittings for leakage.
- Turn off the Refrigerator (leaving the manual shutoff valve open).
- Move the Refrigerator back into its place.

8. Specifications

Gas Refrigerator

Outside dimensions:

• Height	1450 mm	57 1/8 po
• Width	611 mm	24 1/2 po
• Depth	720 mm	28 3/8 po
• Open door	1270 mm	50 po

Freezer capacity	31 liters	1,1 pi ³
Refrigerator capacity	200 liters	7,1 pi ³
Net weight	73 kg	161 lb
Weight plus packing	75 kg	165 lb
Packing volume (1470 x 652 x 762*)	0,730 m ³	25,8 pi ³
Gas consumption (high flame)	33 g/h	1600 Btu/h
Gas consumption (low flame)	14 g/h	700 Btu/h

Enclosure dimensions:

• Height (min)	1470 mm	57 7/8 po
• Width (min)	652 mm	25 2/3 po
• Depth (max)	762 mm	30 po

Flame does not light or goes out				TROUBLE-SHOOTING	
Refrigerator too cold					
Low cooling output					
Odor in or out of Refrigerator					
Excessive gas consumption					
PROBLEMS		CAUSES		REMEDIES	
	●			Flame not lit.	See problem No. 1.
●		●		Empty gas cylinder or closed valve.	Take required action.
		●		Supply pressure not within specifications.	Call your dealer.
●				Closed manual shut off valve.	Open.
			● ●	Gas leakages.	Call your dealer.
●				Piezo-igniter will not work.	Adjust electrode, check for current leaks or poor contact replace.
●				Inoperative flame-failure device.	Check the thermocouple for faulty or displaced tip, poor contact, look up your dealer.
●		● ● ●		Faulty or clogged injector.	Call your dealer.
	●		●	Loose bypass.	Tighten or replace.
●				Clogged bypass.	Replace.
●				Drafts.	Eliminate.
		●		Faulty cooling unit.	Call your dealer.
		●		No charge in thermostat.	Call your dealer.
	●		●	Bulb out of place.	Position correctly.
			●	Baffle too low	Position according to Fig. 1
		●	●	Out of place.	Replace.
	●			Room temperature less than 60°F (16°C).	See item 3.2. under "Important".
	● ●		●	Incorrect thermostat setting.	Same as above.
		●		Inadequate ventilation.	See item 2.1 (a), check for free flow of air throughout the system.
		●	●	Excessive ice.	See item 3.5. under "Caution".
		●	●	Excessive opening of doors.	See item 3.2.
		●		Excessive load of food.	Same as above.
			●	Deficient cleaning inside.	See item 3.6.
			●	Refrigerator kept in storage with doors closed.	Same as above.
			●	Unwrapped food in Refrigerator.	Store in closed containers or wrap with plastic film or aluminum foil.
		●	●	Faulty door seal.	Call your dealer.

FRANÇAIS

1. Introduction

Nous sommes très heureux de vous compter parmi le nombre croissant des utilisateurs satisfaits d'un Réfrigérateur à gaz. Nous sommes persuadés que cet appareil vous rendra service pendant de très nombreuses années.

S'il s'agit de votre premier Réfrigérateur par absorption, veuillez lire attentivement les conseils d'utilisation très simples fournis dans cette notice. Nous vous conseillons de vous familiariser avec votre nouvel appareil en lisant attentivement cette notice. Et ensuite en la fixant à proximité pour vous y référer à l'avenir.

Ce Réfrigérateur a subi tous les tests stipulés par l'Association Américaine du Gaz et par l'Association Canadienne du Gaz, conformément à l'édition la plus récente des règlements ANSI Z21. 19b et CAN/CGA - 1.4 - M91. Il se conforme à toutes les normes de sécurité, de qualité et de performance demandées dans ces règlements.

Symboles de Sécurité

DANGER

Une situation qui, si elle n'est pas évitée, résulte dans la mort ou en des lésions graves.

AVIS

Une situation qui, si elle n'est pas évitée, pourra résulter dans la mort ou en des lésions graves.

ATTENTION

Une situation qui, si elle n'est pas évitée, peut résulter en lésions légères à modérées.

2. Mesures préliminaires

Dès réception du Réfrigérateur, veuillez vérifier:

- Qu'il n'a pas été endommagé en cours de transport;
- Que les portes s'ouvrent et se ferment facilement;
- Que le joint de la porte est bien étanche tout autour de la porte;
- Que les accessoires (voir la liste) sont en parfait état;

En cas de problème, veuillez vous adresser au dépositaire.

Le Réfrigérateur est retenu sur une palette en bois par quatre boulons. Enlevez-les comme suit, Fig. B:

- Sortez le sac, contenant les capuchons et cales d'espacement en plastique, du Réfrigérateur;
- Couchez doucement le Réfrigérateur et placez un morceau de bois (B3) sous son bord inférieur;
- Enlevez les boulons (B1) et la palette en bois (B2);

- Remontez les boulons en les diminuant, de hauteur, de moitié;
- Placez les capuchons en plastique sur la tête des boulons;
- Redressez le Réfrigérateur en position normale;
- Assemblez les cales d'espacement (D9).

Nettoyez le Réfrigérateur avec un linge humide, puis séchez-le avec un linge propre. Si besoin est, utilisez un détergent doux mais n'employez jamais de produits de nettoyage ni d'autres produits abrasifs.

Installez deux piles ordinaires de 1,5 volts (format D) dans l'ensemble éclairage (Fig.A). Vérifiez qu'elles fonctionnent. La lampe doit s'éteindre avant que la porte ne soit complètement fermée.

2.1 Emplacement du Réfrigérateur

Installez-le sur un sol plat et stable, à l'abri de tout rayon direct du soleil et loin de toute source de chaleur. L'emplacement choisi doit être bien aéré sans pour autant être en plein courant d'air. Tenez également compte des dégagements nécessaires suivants;

a)

AVIS



N'installez jamais votre Réfrigérateur directement sur la carpe ou près de matériaux inflammables (tels que des rideaux ou du papier à couvrir les murs)

- b) Prévoyez les dégagements minimaux suivants envers:
- Côte droit et au-dessus: 6 po 150 mm
 - Côte gauche et arrière: 0 po 0 mm
- c) Si vous désirez encastrer le Réfrigérateur, consultez le paragraphe 8 quant aux dimensions de l'ouverture à prévoir.
- d) Éloignez tous les matériaux combustibles, l'essence, d'autres gaz et liquides inflammables du lieu d'installation du Réfrigérateur;
- e) Ne gênez pas la circulation de l'air de combustion et de ventilation.

Positionnez le Réfrigérateur à l'endroit choisi, appuyé contre le mur arrière et le mur de gauche (le cas échéant). Il peut désormais être mis niveau et raccordé à l'arrivée de gaz propane. Pour ces raccordements et, éventuellement, pour l'inversion des charnières de la porte, adressez-vous à un technicien qualifié. Le paragraphe suivant lui sera utile, ainsi que le paragraphe 6, "Description Technique".

AVIS

S'il n'y a pas de circulation d'air suffisante dans l'ambiance, le Réfrigérateur peut produire du monoxyde de carbone. L'inhalation de ce gaz, qui est inodore et incolore, peut faire tourner la tête, causer des nausées ou même, dans des cas extrêmes, la mort.

2.2 Charnières de la porte

S'il faut changer la charnière de la porte pour faciliter l'accès au Réfrigérateur, procédez comme suit:

- Retirer la console (F5);
 - Retirer le couvercle en plastique (F1);
 - Retirer la charnière supérieure (F2) en utilisant une clé à crémaillère 5/16";
 - Retirer la porte du Freezer;
 - Retirer la charnière centrale et l'éloigneur en plastique (F3) en utilisant la clé à crémaillère 5/16";
 - Retirer la grande porte du Réfrigérateur.
 - Retirer la charnière inférieure (F4). Observer quand la plaque de support postérieure lâchera et tombera;
 - Du haut du Réfrigérateur à gauche, retirer trois bouchons en plastique et les placer sur les trous du côté droit;
 - Retirer le couvercle et le joint de la porte, en les plaçant derrière, du côté opposé (gauche/droite ou vice-versa);
 - Coucher le Réfrigérateur vers l'arrière (côté du serpentín), pour avoir accès à la surface inférieure du panneau;
 - Retirer l'allumeur de pression gris (C5), le contrôle de température (C2) et le contrôle de gaz ronds des gaines d'expansion blanches;
 - En utilisant une pince, l'incliner soigneusement, retirer les fûts à fentes des gaines d'expansion blanches;
- Retirer les gaines d'expansion des tiges de contrôle;
- En utilisant une clé à crémaillère de 1/4", retirer les vis du support en acier gris du panneau. Pousser le support du panneau vers le bas pour avoir accès à la surface de placement de la charnière;
 - Préparer le remplacement de la charnière inférieure du côté opposé, en tenant le support de la plaque postérieure pendant le montage de la charnière du bas du cabinet;
 - Placer la porte du Freezer sur la charnière inférieure;
 - Remettre la charnière centrale gauche et le dégaugeur en plastique (cette pièce est remise avec le paquet de composants du Réfrigérateur);
 - Placer la porte du Réfrigérateur sur la charnière centrale gauche;
 - Remettre le Réfrigérateur debout;
 - Régler l'alignement de la porte pour obtenir une étanchéité parfaite tout au long du joint à bague de caoutchouc;
 - Remettre le couvercle de la charnière supérieure;
 - En utilisant une pince, retirer la partie en plastique du côté gauche de la console pour recevoir la charnière inférieure (voir Figure F). La surface à être ôtée est couverte sur le côté plastique interne de la console;
 - Remonter la console, en vérifiant l'alignement correct de la tige de la flamme indicatrice sur tous les supports.

2.3 Installation du Réfrigérateur

L'installation de ce Réfrigérateur doit être conforme aux règlements locaux ou codes d'installation:

- Code national des appareils à gaz, ANS Z233.1 aux Etats-Unis;
- Code d'installation des appareils et équipements au propane CAN/CGA B149 au Canada;
- Ce Réfrigérateur est projeté seulement pour l'usage

domestique. Il revient à votre totale responsabilité si vous prétendez utiliser ce Réfrigérateur dans un "motor home".

Pour bénéficier d'un fonctionnement ininterrompu, installez un système d'alimentation de gaz à deux bouteilles avec un dispositif automatique de changement de bouteille. Utilisez du gaz propane à une pression d'arrivée de 11 pouces (280 mm) dans la colonne d'eau. Le Réfrigérateur doit être raccordé par des tubes en cuivre ou autre matériau acceptable d'un diamètre suffisant pour éviter une baisse de pression de plus d'un pouce (25 mm) dans la colonne d'eau à l'entrée au Réfrigérateur, même si d'autres appareils à gaz (radiateurs, etc.) sont raccordés au même système;

- L'appareil et son robinet d'arrêt individuel doivent être débranchés de la conduite d'arrivée de gaz pendant toute vérification de la pression du dit système à des pressions supérieures à 1/2 lb/po² (3,5 kPa);
- L'appareil doit être isolé de la conduite d'arrivée de gaz à l'aide du robinet manuel d'arrêt du gaz pendant toute vérification de la pression de gaz du dit système à des pressions égales ou inférieures à 1/2 lb/po² (3,5 kPa).

Pour installer le Réfrigérateur:

- Au besoin, installez une plaque métallique ou en bois sur le plancher comme il est recommandé à la partie 2.1 (b);
- Démontez le brûleur (D8);
- Placez le Réfrigérateur à sa position définitive. Tournez les boulons (B1) jusqu'à ce qu'il soit bien à niveau. Sortez-le à nouveau de son emplacement;
- Raccordez l'arrivée de gaz au robinet d'arrêt manuel (D13). Utilisez un raccord métallique flexible homologué d'une longueur suffisante;
- Raccordez un manomètre au bouchon (G5) des commandes. Vérifiez que le Réfrigérateur fonctionne correctement;
- Mettez le Réfrigérateur en marche selon les instructions (F6) et laissez-le fonctionner pendant au moins 30 minutes;
- Pendant ce temps, vérifiez l'étanchéité des raccords, de l'arrivée de gaz à l'orifice, avec un mélange de détergent et d'eau;
- Vérifiez le relevé au manomètre. Si aucun autre appareil à gaz ne fonctionne la pression ne doit pas dépasser 11 po dans la colonne d'eau. Si d'autres appareils à gaz fonctionnent, elle ne doit pas être inférieure à 10 po;
- Vérifiez que le dispositif de détection de flamme fonctionne correctement selon les indications du chapitre 6.3 "Description Technique";
- Placez un miroir (17) sous le tube de la flamme (14) pour confirmer que la flamme (14) est bleue. Elle ne doit pas atteindre le haut du déflecteur (15) qui est normalement légèrement illuminé;
- Coupez l'arrivée de gaz à la commande (C3) en laissant le robinet manuel (D13) ouvert. Remettez le bouchon (G5) en place;
- Remettez le brûleur (D8) à sa place.

ATTENTION

Vérifiez si la flamme est centrée par rapport au tube de chauffage (cheminée). Si elle ne l'est pas, débranchez le produit et appelez le Service Après-Vente. Surtout n'utilisez pas le Réfrigérateur dans ces conditions. Regarder le détail à la figure 1.

Installez Réfrigérateur à l'endroit choisi:

- Installez le Réfrigérateur à sa place et vérifiez que le raccord flexible n'est pas plié.

3. Commandes

Toutes les commandes se trouvent derrière la grille à la base du Réfrigérateur et elles sont raccordées aux dispositifs de commande à l'arrière du Réfrigérateur.

4. Raccordement de gaz

L'arrivée de gaz doit se faire par un tuyau en cuivre de 3/8^{es} de po ne présentant ni courbes ni angles trop prononcés, installé sur un coupleur conique raccordé au robinet manuel d'arrêt du gaz.

Ce tuyau d'arrivée doit être disposé de façon à ne pas être endommagé quand le Réfrigérateur est déplacé.

Pour raccorder le Réfrigérateur à l'arrivée de gaz, utilisez une soupape sur la bouteille de gaz propane. Ne raccordez jamais la bouteille de gaz propane directement sur le Réfrigérateur.

⚠ ATTENTION

N'employez que du gaz propane. Ce gaz étant extrêmement inflammable, il est très important de vérifier l'étanchéité de tous les joints, de la bouteille au Réfrigérateur.

⚠ AVERTISSEMENT

Après l'installation, ouvrez l'arrivée de gaz et vérifiez l'étanchéité de tous les raccords de tuyaux de la bouteille de gaz propane au brûleur, avec un mélange de savon et d'eau. Ne vous servez jamais d'une flamme pour vérifier l'étanchéité.

REMARQUE: Seul un revendeur agréé est autorisé à effectuer les opérations d'entretien des conduites de gaz. En cas de pression irrégulière du gaz ou en cas de problème d'installation, veuillez vous adresser au revendeur ou à un agence technique agréé. Le propriétaire ne doit jamais effectuer les opérations qui nécessitent le desserrement des conduites de gaz.

5. Pour bénéficier des meilleures performances de votre Réfrigérateur

5.1 Fonctionnement (Fig. C) (Instructions d'allumage)

Si le Réfrigérateur est correctement installé, l'arrivée de gaz bien raccordée et le robinet manuel ouvert, procédez comme suit pour mettre le Réfrigérateur en marche.

- Tournez le thermostat (C2) au réglage le plus froid (C8);
- Appuyez et tournez le bouton du sélecteur (C3) à la position ouverte (C4);

- Appuyez (C3) et maintenez-le ainsi tout en activant plusieurs fois l'allumeur piézo-électrique (C5); ou jusqu'à obtention d'une flamme;

⚠ ATTENTION

Pendant le temps que vous serez en train d'essayer d'allumer la flamme, n'actionnez pas l'ignition pendant plus de 10 secondes, tant que le bouton de la valve sélective sera pressé.

- Les étincelles sont visibles au conducteur (C1) qui s'éclaire dès que le brûleur s'allume. S'il n'y a pas d'étincelles, consultez le chapitre "Dépannage";

- Appuyez sur (C3) pendant 5 secondes encore, puis lâchez en vérifiant que la flamme ne s'éteint pas;

Dans ce cas, répétez la procédure d'allumage ou consultez le chapitre "Dépannage";

- Le lendemain, réglez le thermostat à la position "Dégivrage" (C6) pendant cinq minutes au moins et vérifiez que la flamme ne s'éteint pas;

- Réglez ensuite le thermostat à la température normale (C7).

5.2 Les Réfrigérateurs à absorption sont différents

Un Réfrigérateur à absorption fonctionne sans bruit, ce qui rend plus difficile de s'assurer qu'il marche. Cependant, le fond du compartiment Congélateur doit commencer à refroidir en moins d'une heure. Il faut entre six et douze heures pour atteindre la température de marche, selon la température ambiante. Nous vous conseillons de faire fonctionner le Réfrigérateur à vide pendant les premières heures.

Évitez aussi, par la suite, de placer une grande quantité de nourriture d'un seul coup dans le Réfrigérateur:

- Entrez d'abord les denrées périssables et rangez le reste plus tard;
- Rangez les grandes quantités de nourriture de préférence le soir, mais pas plus de 10 lb (5kg) à la fois;
- Laissez refroidir les aliments chauds avant de les placer dans le Réfrigérateur;
- Évitez de laisser la porte ouverte plus longtemps que nécessaire.

⚠ AVIS



Ne stockez pas de produits inflammables dans votre Réfrigérateur tels que l'essence, le kérosène, etc..., pour éviter les risques d'explosion et d'incendie.

IMPORTANT

- Dans des conditions d'utilisation normales, réglez le thermostat (C2) dans la zone graduée (C7). S'il fait très chaud, ou si la porte du Réfrigérateur est ouverte fréquemment, réglez le thermostat sur les températures plus froides de la zone.

Si la température ambiante est inférieure à 60°F (16°C), la température du compartiment principal risque de tomber en dessous du point de congélation, même si le thermostat est réglé à la position la plus haute.

5.3 Pour faire des glaçons

Trois moules à glaçons sont fournis avec le Réfrigérateur. Remplissez-les d'eau jusqu'au haut du cloisonnement. Placez les moules les uns à côté des autres sur le fond du compartiment Congélateur. Versez un peu d'eau sur le fond pour améliorer le contact entre les moules et la plaque.

Si vous préparez les moules à glaçons le soir, vous aurez 3 lb (1,360 kg) de glaçons le lendemain matin. Gardez les glaçons dans les moules ou dans un autre récipient dans le compartiment.

5.4 Compartiment Congélateur

Outre la fabrication de glaçons, l'entreposage d'aliments surgelés est possible dans le compartiment supérieur. La durée de conservation des aliments, sans effet nuisible sur leur qualité, est en fonction de la nature des aliments et de la température de conservation.

Cette température n'est pas affectée par le réglage du thermostat ni par l'utilisation du compartiment principal. Même si le thermostat est réglé sur la position "Dégivrage", la température du compartiment Congélateur convient à la conservation des aliments surgelés. La température varie cependant en fonction de la température ambiante dans la pièce. A 90°F (32°C), la température du Congélateur demeure à 0°F (-18°C) ou moins et à 110°F (43°C), elle reste encore à 15°F (-9°C).

La température ne varie pas beaucoup d'un point à l'autre du compartiment, mais elle est légèrement plus basse dans le coin inférieur gauche. Bien entendu, ce sera le meilleur endroit pour entreposer des aliments très sensibles. Si des aliments surgelés sont rangés dans le Congélateur, il est recommandé de ne fabriquer des glaçons que dans un seul moule à la fois, placé dans le coin inférieur droit.

Ce Congélateur est surtout prévu pour conserver des aliments surgelés. On peut l'utiliser pour congeler une quantité limitée d'aliments frais. Il est alors possible de congeler jusqu'à 3 lb (1,5 kg environ) par période de 24 heures, à une température ambiante de 90°F (32°C).

Emballez les aliments de la manière recommandée, puis:

- Laissez les aliments chauds refroidir à la température ambiante à l'extérieur du Réfrigérateur;
- Une fois à la température ambiante, placez les aliments dans le compartiment principal du Réfrigérateur pour les refroidir davantage pendant plusieurs heures;
- Plus tard, de préférence le soir, placez les aliments en contact avec le fond du compartiment Congélateur.

5.5 Dégivrage

Après quelque temps, du givre risque de s'accumuler sur les ailettes de l'évaporateur (E1) au point de réduire l'efficacité du Réfrigérateur. C'est pourquoi il est nécessaire de le dégivrer régulièrement. L'intervalle entre les dégivrages peut varier de façon considérable, d'une semaine à plus d'un

mois, selon le climat et la fréquence d'utilisation du Réfrigérateur.

Nous recommandons de dégivrer le Réfrigérateur quand la moitié de l'espace entre les ailettes est recouvert de givre. Examinez la partie supérieure des ailettes de gauche. Là où le givre a tendance à s'accumuler le plus rapidement.

Il n'est pas nécessaire de retirer les aliments du compartiment principal ni du Congélateur pour le dégivrage.

Réglez simplement le thermostat (C2) à la position "Dégivrage" (C6) et laissez-le sur cette position pendant quelques heures. Le Réfrigérateur continue à fonctionner, avec une petite flamme, pour assurer le refroidissement du Congélateur.

Le givre fond et l'eau s'écoule par un tuyau d'évacuation à l'arrière du Réfrigérateur et dans plusieurs petits récipients (D5) d'où elle peut s'évaporer.

Vérifiez qu'il n'y a plus de glace sur les ailettes (même s'il en reste un peu sur le lube), puis réglez le thermostat à sa position habituelle. Le Réfrigérateur se remet alors à fonctionner normalement.

Le Congélateur n'a pas besoin d'être dégivré aussi souvent. Pour le dégivrer, consultez le chapitre 5.5.

⚠ AVIS

N'utilisez pas de couteaux ou d'objets pointus pour retirer la couche de givre. Vous pouvez ainsi causer une fuite dans le système d'ammoniac.

⚠ ATTENTION

Si l'évaporateur est surchargé de glace, ne dégivrez pas de la manière expliquée précédemment car les récipients (D5) d'une chopine (un litre) risquent de déborder. Dans ce cas, suivez les instructions ci-dessous.

5.6 Arrêt du Réfrigérateur (Fig. E)

Le Réfrigérateur à absorption est censé fonctionner continuellement pendant de nombreuses années. Il ne comporte aucune pièce mobile, d'où aucun frottement. Il est toutefois conseillé de le débrancher de temps à autre.

- Quand il ne doit pas être utilisé pendant plusieurs semaines par exemple;
- Quand il y a une grosse accumulation de glace sur l'évaporateur ou dans le compartiment Congélateur.

Dans ce cas, procédez comme suit:

- Coupez l'arrivée de gaz au sélecteur (C3) et sortez tous les aliments;
- Sortez tous les accessoires du Réfrigérateur (clayettes, tiroirs, etc., piles d'éclairage);

- Retournez le bac de dégivrage (E2) pour que le trou d'évacuation se trouve à l'avant et placez un récipient approprié pour recueillir l'eau de dégivrage;
- Laissez les portes ouvertes jusqu'à ce que toute la glace ait fondu, puis envelez le récipient;

L'eau de dégivrage du compartiment supérieur s'écoule (E5) jusqu'au bac de dégivrage.

- Lavez les éléments dans de l'eau et du savon, puis séchez-les;
- Nettoyez l'intérieur du Réfrigérateur avec un linge humide, puis séchez-le;
- Réinstallez les accessoires et retournez le bac de dégivrage à sa position normale.

Si vous ne prévoyez pas d'utiliser le Réfrigérateur pendant longtemps, laissez les portes entrouvertes et ne replacez pas les piles pour l'éclairage.

6. Description technique

Avant d'aborder la question de l'entretien et du dépannage de ce Réfrigérateur à gaz, nous tenons, pour vous aider à mieux comprendre son fonctionnement, à décrire brièvement tous ses éléments fonctionnels.

6.1 L'appareil à gaz 9 (Fig. D)

Le raccord de gaz (D14) est branché sur un robinet manuel d'arrêt (D13) qui doit normalement rester ouvert (poignée parallèle au passage du gaz).

Le robinet (D13) est raccordé à une soupape de commande mixte (voir plus bas) par un raccord union (D15). Si le Réfrigérateur doit être déplacé pour une opération d'entretien, fermez le robinet et enlevez le raccord union. La soupape ferme l'extrémité du raccord, de sorte que le système d'arrivée de gaz peut continuer à fonctionner.

Pour rebrancher le Réfrigérateur, remontez simplement le raccord union, ouvrez le robinet et utilisez un détersif pour vérifier l'étanchéité du raccord union et des raccords adjacents. Ne serrez pas excessivement le raccord union. Serrez-le fermement à la main, puis serrez-le encore de 10 ou 20 degrés avec une clé ouverte ou jusqu'à ce qu'il n'y ait plus de fuites.

AVIS



N'utilisez pas le feu pour vérifier des fuites dans les tuyautages de gaz.

6.2 La soupape de commande mixte (Fig. G)

Cette commande a plusieurs rôles. L'admission (G2) est équipée d'un filtre qui retient certains contaminants présents dans le gaz. Après le filtre, on trouve une soupape de sélection et sa tige (G3) à deux positions:

ouverte ou fermée. Servez-vous de cette soupape pour arrêter le Réfrigérateur puisque le réglage du thermostat (G4) à la température la plus chaude ne suffit pas.

Ensuite, on trouve un dispositif de détection de la flamme, raccordé par (G7) au thermocouple (H1) au brûleur. Si la flamme s'éteint pour une raison quelconque, l'arrivée de gaz est coupée dans les quarante secondes qui suivent, empêchant toute autre fuite de gaz non brûlé important.

Pour allumer le brûleur, laissez l'arrivée de gaz ouverte manuellement en appuyant sur (G3) jusqu'à ce que la flamme s'allume. La flamme chauffe suffisamment le thermocouple (H1), en 3 ou 4 secondes, pour maintenir le passage du gaz ouvert.

6.3 L'essai du dispositif de détection de la flamme (Fig. C)

Ce dispositif à sûreté intégrée se ferme en cas de malfonction (un mauvais contact électrique, etc.). Son bon fonctionnement doit toutefois être vérifié lors de la mise en marche initiale du Réfrigérateur, puis régulièrement par la suite (voir le chapitre "Entretien périodique").

a) Mettez le Réfrigérateur en marche, le thermostat réglé sur la position la plus froide.

b) Fermez la soupape de sélection (C3), puis rouvrez-la immédiatement.

La flamme s'éteint, mais l'arrivée de gaz est maintenue.

c) Écoutez attentivement. Dans 30 ou 40 secondes, vous entendrez un dé clic caractéristique qui indique que la soupape s'est fermée.

6.4 La soupape thermostatique et la dérivation (Fig. G)

La température est mesurée par un tube capillaire en cuivre (G1) remontant derrière le Réfrigérateur (D3) et dont l'extrémité se trouve dans une prise sur l'évaporateur (E1).

La température à l'extrémité et la position de la tige (G4) contrôle le débit du gaz au brûleur. Pour réinstaller le tube capillaire après une réparation, vérifiez qu'il est bien inséré dans la prise et bouchez la sortie (D2) avec un agent d'étanchéité.

Même quand la soupape thermostatique est fermée, une petite quantité de gaz continue à passer pour maintenir la flamme et assurer le fonctionnement du compartiment Congélateur. Ce gaz est mesuré par un orifice dans la vis de dérivation (G6). L'orifice ne peut être ajusté et la vis doit rester bien serrée. Les deux chiffres sur la vis indiquent sa capacité.

6.5 La sortie sous pression

Le bouchon (G5) peut être enlevé et remplacé par une sortie sous pression raccordée à un manomètre. Lorsque le Réfrigérateur fonctionne et quand le thermostat est ajusté à la position la plus froide, la pression doit être la même que la pression à l'admission, à savoir 11 pouces (280 mm) dans la colonne d'eau.

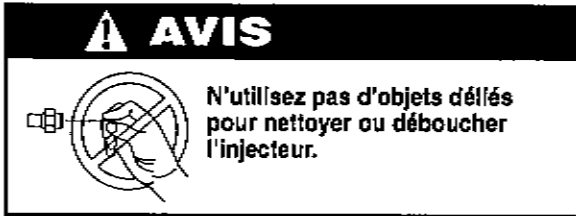
Si elle est inférieure, de 1.1/2 à 3 pouces (40 à 65 mm), la sonde est défectueuse et il faut remplacer la soupape de commande mixte.

En tournant le bouton du thermostat à la position la moins froide, vous devriez pouvoir voir la pression tomber jusqu'à 1.1/2 à 3 po dans la colonne d'eau (à condition que l'extrémité du tube capillaire soit à 32°F (0°C) ou moins).

L'orifice de dérivation est probablement bouché si la pression tombe en dessous de 1.1/2 po.

6.6 Le brûleur (Fig H)

Le gaz passe dans un orifice, percé par un rayon laser de haute précision dans un minuscule rubis (H8), à l'extrémité du mamelon à orifice (H9). La grosseur de l'orifice est indiquée par les chiffres (H7).



La mamelon à orifice est adapté dans un boîtier (H4) à trous pour l'air primaire. La poussière ou la charpie en suspension dans l'air est aspirée dans les trous et s'accumule derrière la gaze (H2), transformant lentement la flamme bleue, nette et basse en une flamme jaune, molle et allongée. L'apparition d'un centre jaune grandissant en est la première indication et, avant que les pointes jaunes apparaissent ou que la flamme atteigne le déflecteur, il faut nettoyer le brûleur. Voir le chapitre "Entretien Périodique".

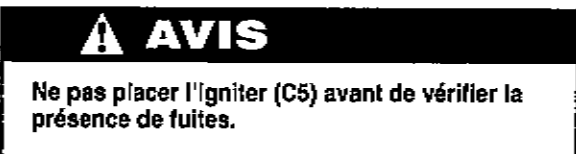
REMARQUE:

Une flamme basse a généralement un centre jaune, mais sans pointes jaunes.

6.7 L'allumeur

L'allumeur (C5) est de type piézo-électrique. Il provoque une étincelle à haute tension entre l'électrode (H3) et le brûleur (H2).

S'il ne fonctionne pas, le problème peut être, comme pour les bougies automobiles, un écartement trop important entre l'électrode et le brûleur, ou un mauvais contact électrique par exemple. Si tel n'est pas le cas, remplacez l'allumeur.



6.8 Le tube d'échappement des gaz (Fig. I)

Le brûleur se trouve sous le tube d'échappement des gaz (I4). Il y a un déflecteur (I5) dans le tube pour améliorer le transfert de chaleur des gaz de combustion et un volet (I3) qui limite l'excès d'air dans le tube. L'ensemble est soutenu (I2) sur le bord supérieur du tube. L'allonge du tube passe au-dessus et est attachée à l'unité réfrigérante.

7. Entretien périodique et dépannage

Pour que le Réfrigérateur fonctionne en toute sécurité et reste efficace, nous vous recommandons d'appliquer un programme d'entretien préventif simple au moins deux fois par an, de préférence avant une période d'emploi continu de l'appareil et, surtout, si le Réfrigérateur est resté débranché pendant longtemps.

Pendant et après le travail d'entretien, gardez l'endroit de l'appareil propre et sans matériaux combustibles, essence et autres vapeurs et liquides inflammables, maintenez aussi le flux d'air de combustion et de ventilation non obstrué.



7.1 Vérification des portes

Vérifiez tout d'abord la bonne ouverture et la bonne fermeture des portes, ainsi que l'étanchéité des joints magnétiques. Ils doivent être propres, sans fissures ni distortion. Ils doivent être complètement étanches sur tout le pourtour de la porte. Sinon, faites-les remplacer par le dépositaire ou ajustez les charnières des portes.

7.2 Nettoyage de l'arrière du Réfrigérateur

Déplacez le Réfrigérateur en vous assurant de ne pas plier le raccord flexible.

La poussière accumulée derrière le Réfrigérateur risque d'obstruer le brûleur. Enlevez la poussière accumulée sur le dispositif d'absorption (D11) et sur le condenseur (D1) de l'unité réfrigérante, ce qui peut réduire le transfert de chaleur de ces pièces, et par conséquent, affecter les performances de l'appareil. Donc, en premier lieu, supprimez la poussière du Réfrigérateur et de la carrosserie. Utilisez un pinceau pour nettoyer le condenseur.

Vérifiez que le tube (D12) n'est pas humide et ou rouillé. Ceci indique que le Réfrigérateur fonctionne ou a fonctionné avec le thermostat réglé à une température trop basse, ce qui augmente la consommation de gaz, mais n'améliore pas les performances de l'appareil.

7.3 Dispositif servant à assécher l'eau de dégivrage

Il comprend le bac de dégivrage (E2) sous l'évaporateur, le trou d'évacuation à l'arrière du Réfrigérateur et la goulotte d'eau (D4), derrière le trou et les récipients (D5). Nettoyez le trou et la goulotte d'eau avec une petite tige recouverte de coton. Au besoin, sortez et nettoyez les récipients. Notez qu'ils sont décalés à 180° l'un par rapport à l'autre.

7.4 Le brûleur

Démontez le boîtier du brûleur (D8) et procédez comme suit:

- Nettoyez les orifices (H5) et le filtre (H2) de la tête du brûleur avec une brosse adaptée;
- Il sera peut-être nécessaire de démonter (H5) du brûleur ou même le brûleur de l'unité réfrigérante et de déloger la charpie avec un courant d'air à travers le filtre;
- Nettoyez et vérifiez l'état de l'électrode (H3) et du thermocouple (H1). Remplacez-les au besoin. Resserrez ces pièces si nécessaire;
- Vérifiez l'étincelle de l'allumeur piézo-électrique. De même, vérifiez le câble allant à l'électrode (H6);
- Nettoyez le conducteur (F7) et le réflecteur (D8) avec un linge doux.

7.5 Nettoyage du tube des gaz d'échappement (Fig. I)

- Recouvrez le brûleur avec un linge. Desserrez et démontez la rallonge du tube (I1);
- Démontez le déflecteur (I2). Nettoyez et inspectez l'ensemble.

ATTENTION

Le déflecteur peut être recouvert de poussière de combustion et sa surface peut être légèrement corrodée. Son extrémité doit toutefois être intacte, sans corrosion. Il ne doit pas y avoir de suie qui est le signe d'une combustion incomplète. Dans ce cas, adressez-vous au dépositaire.

- Faites passer la brosse (D10) dans le tube à flamme. Il ne doit pas y avoir de suie;
- Remontez le déflecteur en vérifiant au besoin sa rallonge (Fig. I);
- Assemblez la rallonge du tube des gaz d'échappement en vous assurant que le fil du déflecteur est bien enfoncé dans la fente;
- Envelez le linge qui recouvre le brûleur et remontez le boîtier.

Vérifiez le fonctionnement:

- Allumez le Réfrigérateur et examinez la flamme. Elle doit être bien nette et bleue;
- Vérifiez le fonctionnement du dispositif de détection de la flamme mentionné au chapitre 6.3;
- Vérifiez l'étanchéité du raccord union et des raccord de gaz adjacents;
- Éteignez le Réfrigérateur (en laissant le robinet manuel ouvert);
- Remettez le Réfrigérateur en place.

8. Caractéristiques techniques

Réfrigérateur à gaz

Dimensions extérieures:

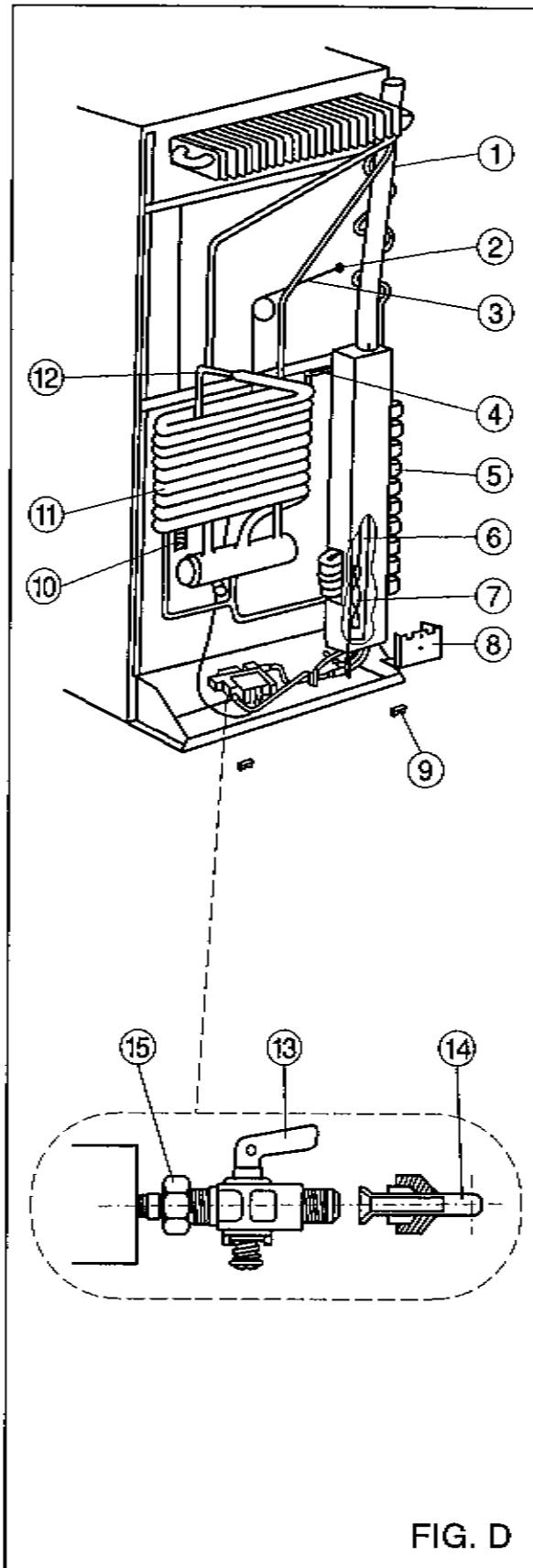
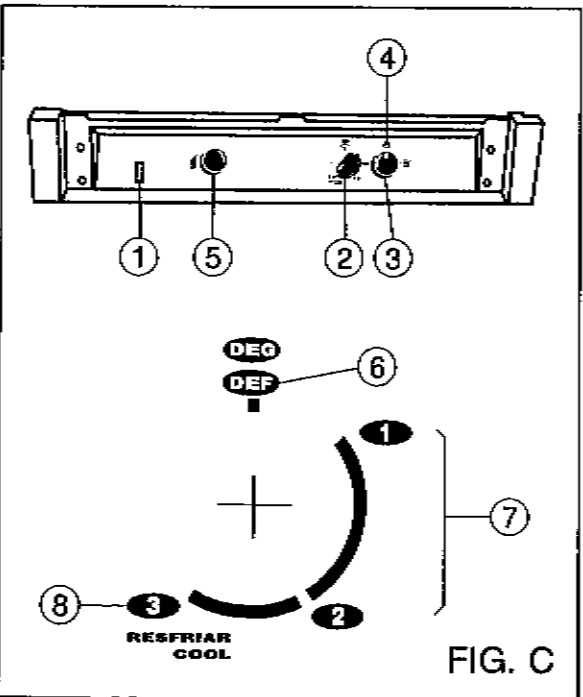
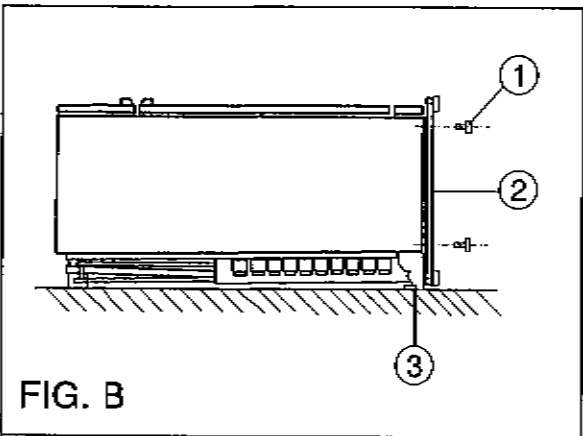
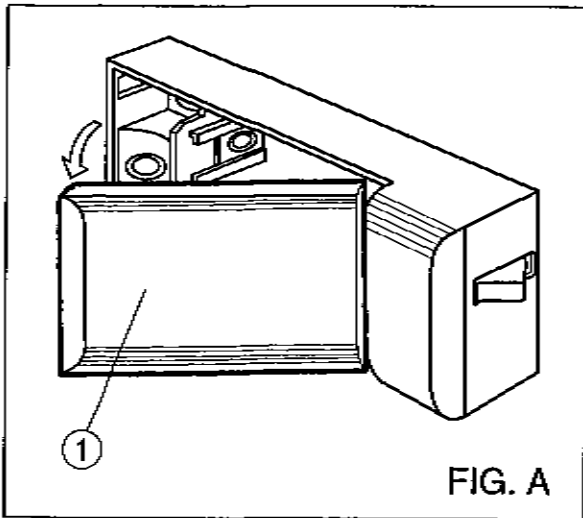
• Hauteur	1450 mm	57 1/8 po
• Largeur	611 mm	24 1/2 po
• Profondeur	720 mm	28 3/8 po
• Porte ouverte	1270 mm	50 po

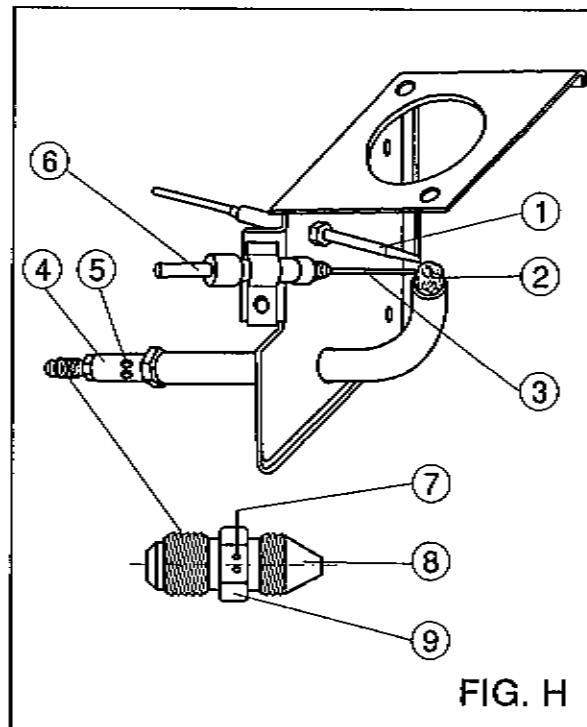
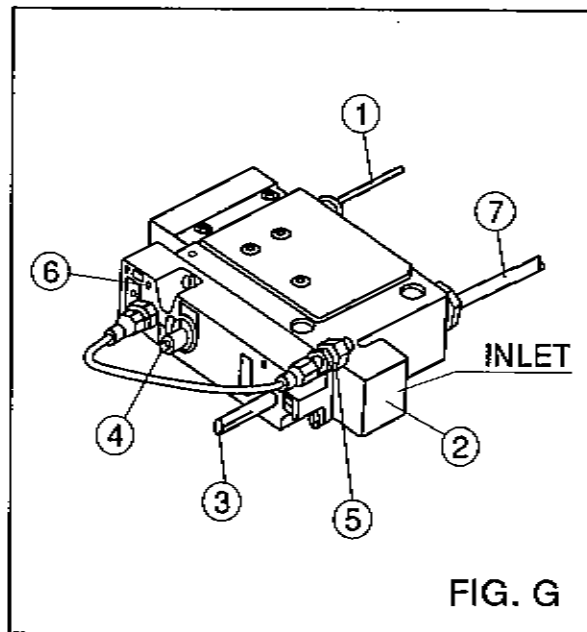
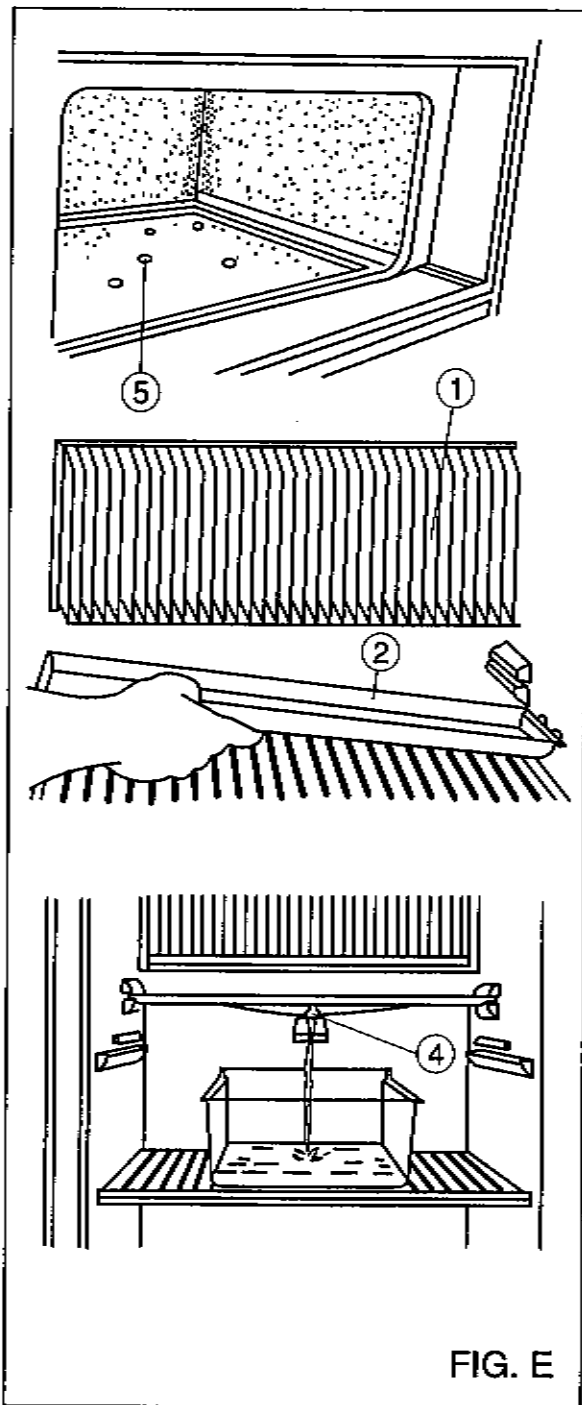
Capacité du Congélateur	31 litres	1,1 pi ³
Capacité du Réfrigérateur	200 litres	7,1 pi ³
Poids net	73 kg	161 lb
Poids plus emballage	75 kg	165 lb
Volume de l'emballage (1470 x 652 x 762*)	0,730 m ³	25,8 pi ³
Consommation de gaz (grande flamme)	33 g/h	1600 Btu/h
Consommation de gaz (petite flamme)	14 g/h	700 Btu/h

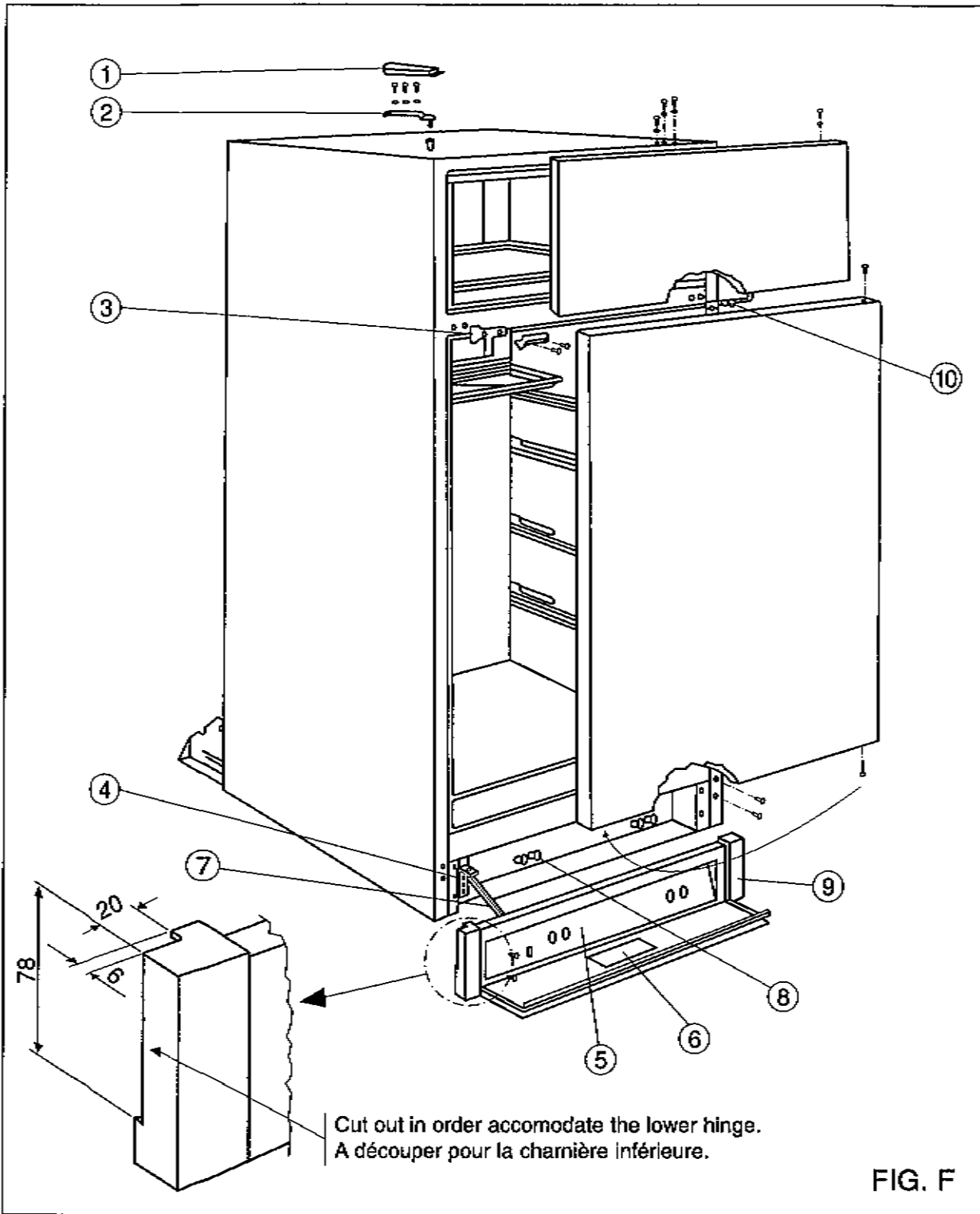
Dimensions de l'ouverture:

• Hauteur (min)	1470 mm	57 7/8 po
• Largeur (min)	652 mm	25 2/3 po
• Profondeur (max)	762 mm	30 po

La flamme ne s'allume pas ou s'éteint				DÉPANNAGE	
Le Réfrigérateur est trop froid					
Le Réfrigérateur refroidit peu					
Odeur détectable dans le Réfrigérateur et à proximité					
Consommation de gaz excessive					
PROBLÈMES				CAUSES	SOLUTIONS
		●		La flamme n'est pas allumée.	Voir le problème n° 1.
●		●		Bouteille de gaz vide ou robinet fermé.	Agir en conséquence.
		●		Pression d'arrivée hors des limites.	Appeler le dépositaire.
●				Robinet manuel d'arrêt fermé.	L'ouvrir.
			● ●	Fuites de gaz.	Appeler le dépositaire.
●				L'allumeur piézo-électrique ne fonctionne pas.	Ajuster l'électrode, vérifier qu'il n'y a pas de fuites de courant ou un mauvais contact. Le remplacer.
●				Dispositif de détection de la flamme défectueux.	Vérifier si l'extrémité du thermocouple n'est pas défectueuse ou déplacée ou a un mauvais contact. Appeler le dépositaire.
●		● ● ●		Injecteur défectueux ou bouché.	Appeler le dépositaire.
	●		●	Dérivation desserrée.	La resserrer ou la remplacer.
●				Dérivation bouchée.	La remplacer.
●				Courants d'air.	Les éliminer.
		●		Unité réfrigérante défectueuse.	Appeler le dépositaire.
		●		Le thermostat ne fonctionne pas.	Appeler le dépositaire.
	●		●	Ampoule déplacée.	La remplacer correctement.
		● ● ●		Défecteur trop bas ou déplacé.	La remplacer correctement comme à la Fig. 1 ou le remplacer.
	●			Température ambiante inférieure à 60°F (16°C).	Voir le paragraphe " Important " 3.2.
	● ●		●	Réglage incorrect du thermostat.	Voir ci-dessus.
		●		Mauvaise ventilation.	Voir le chapitre 2.1 (a). Vérifier la circulation d'air dans le système.
		●	●	Formation excessive de glace.	Voir le chapitre 3.5, " Attention ".
		●	●	Ouverture excessive de portes.	Voir le chapitre 3.2.
		●		Quantité trop importante d'aliments	Comme ci-dessus.
			●	Nettoyage insuffisant de l'intérieur.	Voir le chapitre 3.6.
			●	Le Réfrigérateur a été entreposé les portes fermées.	Voir ci-dessus.
			●	Nourriture non emballée dans le Réfrigérateur.	Garder les aliments dans des récipients hermétiques ou enveloppés dans des pellicules de plastique ou du papier aluminium.
	●		●	Joint de la porte défectueux.	Appeler le dépositaire.







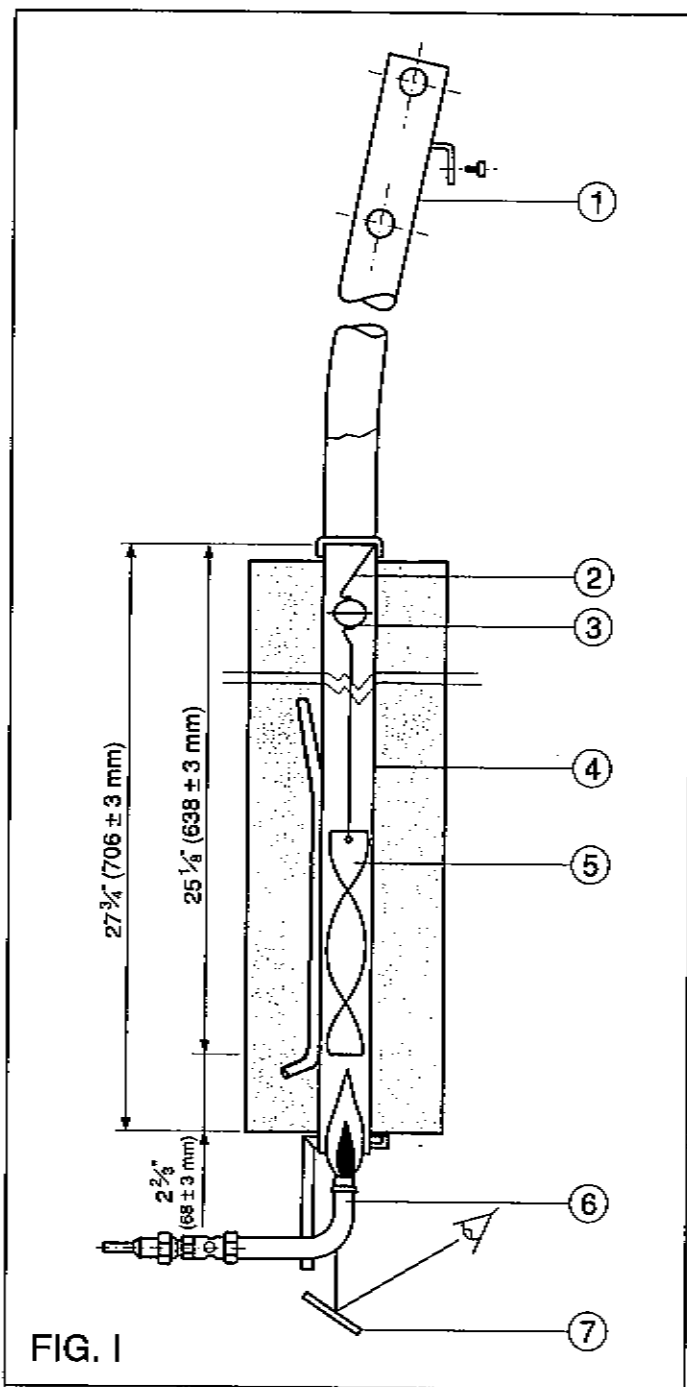


FIG. 1

Note: The correct flame, at "COLDEST" setting, should have a bright blue crown at the base of the flame.

Remarque: La base de la flamme correcte, au réglage "LE PLUS FROID", doit être d'un bleu vif.

Danby®
Products Limited

P.O. Box 1778 - Guelph, Ontario - Canada - N1H 6Z9

Danby®
Products Limited

P.O. Box 1778 - Guelph, Ontario - Canada - N1H 6Z9