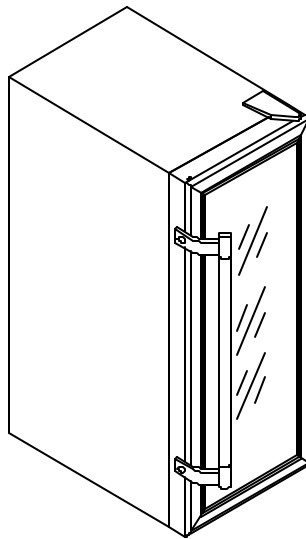




**INSTRUCTION MANUAL  
MANUAL DE INSTRUCCIONES**

**Model Number/ No. de Modelo: EWC12**

**THERMOELECTRIC WINE CHILLER  
VINERA TERMoeLECTRICA**



**BEFORE USE, PLEASE READ AND FOLLOW ALL SAFETY RULES AND OPERATING INSTRUCTIONS.**

La sección en español empieza en la página 15.

Avanti Products has a policy of continuous improvement on its products and reserves the right to change materials and specifications without notice.

---

**Avanti Products, A Division of The Mackle Co., Inc.  
P.O. Box 520604 - Miami, Florida 33152  
[www.avantiproductions.com](http://www.avantiproductions.com)**

---

## REGISTRATION INFORMATION

Thank you for purchasing this fine Avanti products. Please fill out this card and return it within 100 days of purchase and receive these important benefits to the following address:

**Avanti Products, A Division of The Mackle Co., Inc.**  
**P.O. Box 520604- Miami, Florida 33152 USA**

✂ **Protect your product:**

We will keep the model number and date of purchase of your new Avanti product on file to help you refer to this information in the event of an insurance claim such as fire or theft.

✂ **Promote better products:**

We value your input. Your responses will help us develop products designed to best meet your future needs.

------(detach here)-----

### Avanti Registration Card

Name _____			Model # _____	Serial # _____
Address _____			Date Purchased _____	Store/Dealer Name _____
City _____	State _____	Zip _____	Occupation _____	
Area Code _____	Phone Number _____		<b>As Your Primary Residence, Do You:</b> <input type="checkbox"/> Own <input type="checkbox"/> Rent	
<b>Did You Purchase An Additional Warranty:</b> <input type="checkbox"/> Extended <input type="checkbox"/> None			<b>Your Age:</b> <input type="checkbox"/> under 18 <input type="checkbox"/> 18-25 <input type="checkbox"/> 26-30 <input type="checkbox"/> 31-35 <input type="checkbox"/> 36-50 <input type="checkbox"/> over 50	
<b>Reason For Choosing This Avanti Product:</b> Please indicate the most important factors that influenced your decision to purchase this product.			<b>Marital Status:</b> <input type="checkbox"/> Married <input type="checkbox"/> Single	
<input type="checkbox"/> Price			<b>Is This Product Used In The:</b> <input type="checkbox"/> Home <input type="checkbox"/> Business	
<input type="checkbox"/> Product Features			<b>How Did You Learn About This Product:</b> <input type="checkbox"/> Advertising	
<input type="checkbox"/> Avanti Products Reputation			<input type="checkbox"/> In Store Demo <input type="checkbox"/> Personal Demo	
<input type="checkbox"/> Product Quality			<input type="checkbox"/> Other _____	
<input type="checkbox"/> Salesperson Recommendation			Comments _____	
<input type="checkbox"/> Friend/Relative Recommendation			_____	
<input type="checkbox"/> Warranty			_____	
<input type="checkbox"/> Other _____			_____	



---

## HELP US HELP YOU...

### Read this guide carefully.

It is intended to help you operate and maintain your new Wine Chiller properly.

Keep it handy to answer your questions. If you don't understand something or you need more assistance, please call:

**Avanti Customer Service  
800-220-5570**

Keep proof of original purchase date (such as your sales slip) with this guide to establish the warranty period.

### **CAUTION:**

**THIS WINE CHILLER IS NOT DESIGNED FOR THE STORAGE OF MEDICINE OR OTHER MEDICAL PRODUCTS.**

### Write down the model and serial numbers.

You'll find them on a plate located on the rear outside wall of the Wine Chiller.

Please write these numbers here:

\_\_\_\_\_

Date of Purchase

\_\_\_\_\_

Model Number

\_\_\_\_\_

Serial Number

Use these numbers in any correspondence or service calls concerning your Wine Chiller.

If you received a damaged Wine Chiller, immediately contact the dealer (or builder) that sold you the Wine Chiller.

Save time and money. Before you call for service, check the Troubleshooting Guide. It lists causes of minor operating problems that you can correct yourself.

---

## IF YOU NEED SERVICE

We're proud of our service and want you to be pleased. If for some reason you are not happy with the service you receive, here are some steps to follow for further assistance.

FIRST, contact the people who serviced your Wine Chiller. Explain why you are not pleased. In most cases, this will solve the problem.

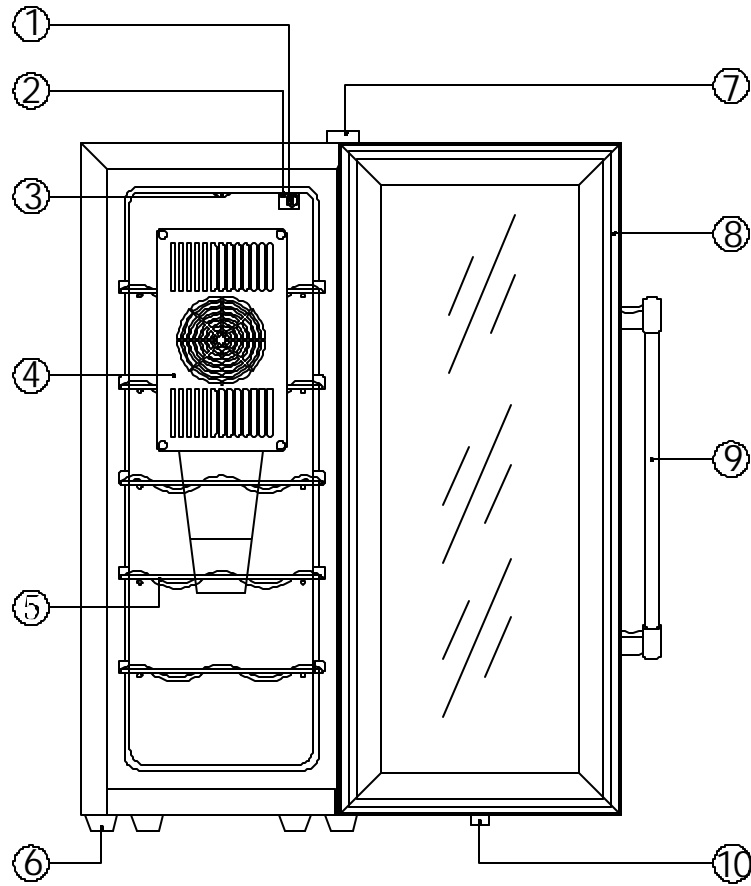
NEXT, if you are still not pleased, write all the details, including your telephone number, and send it to:

**Customer Service  
Avanti Products  
10880 NW 30 Street  
Miami, FL 33172 USA**

## TABLE OF CONTENTS

Registration Information	2
Help Us Help You ...	4
Parts And Features	6
Important Safety Instructions	7
Installation Instructions	7
Before Using Your Wine Chiller	7
Installation Your Wine Chiller	7
Electrical Connection	8
Reversing The Door Swing Of Your Appliance	8
Operating Your Wine Chiller	8
Temperature Control And Light Switch	8
Setting The Temperature Control	9
Interior Light	9
Door Lock	9
Care And Maintenance	9
Cleaning Your Wine Chiller	9
Power Failure	10
Vacation Time	10
Moving Your Wine Chiller	10
Energy Saving Tips	10
Troubleshooting Guide	11
Service For Your Wine Chiller	12
Your Avanti Products Warranty	13
Wiring Diagram	14
INSTRUCCIONES EN ESPAÑOL	15~17



## PARTS & FEATURES



1. Temperature Control Knob
2. Light Switch
3. Interior Light
4. Cold Sink Fan Cover
5. Shelves (5)

6. Legs
7. Upper Hinge Cover
8. Tempered Glass Door
9. Door Handle
10. Security Lock

## IMPORTANT SAFETY INSTRUCTIONS

 <b>WARNING</b> 	To reduce the risk of fire, electrical shock, or injury when using your appliance, follow these basic precautions:
<ul style="list-style-type: none"><li>? Read all instructions before using the Wine Chiller.</li><li>? <b>DANGER or WARNING:</b> Risk of child entrapment. Child entrapment and suffocation are not problems of the past. Junked or abandoned appliances are still dangerous . . . even if they will “just sit in the garage a few days”.</li><li>? <b>Before you throw away your old Wine Chiller:</b> Take off the door. Leave the shelves in place so that children may not easily climb inside.</li><li>? Never allow children to operate, play with, or crawl inside the appliance.</li><li>? Never clean appliance parts with flammable fluids. The fumes can create a fire hazard or explosion.</li><li>? Do not store or use gasoline or any other flammable vapors and liquids in the vicinity of this or any other appliance. The fumes can create a fire hazard or explosion.</li><li>? Do not repair or replace any part of the refrigerator or attempt any servicing unless specifically recommended in the user-maintenance instructions or in published user-repair instructions. Replace the fuse with the same type.</li></ul> <p style="text-align: center;">-Save these instructions-</p>	

## INSTALLATION INSTRUCTIONS

### **Before Using Your Wine Chiller**

- ? Remove the exterior and interior packing.
- ? Check to be sure you have all of the following parts:
  - ? 5 Shelves
  - ? 2 Keys
  - ? 1 Handle Assembly (Including 1 handle, 2 screws and 2 screw covers)
  - ? 1 Instruction Manual
- ? Clean the interior surface with lukewarm water using a soft cloth.
- ? Install the handle on the left side of the door with 2 screws.

### **Installation of Your Wine Chiller**

- ? This appliance is designed to be free standing installation only, and should not be recessed or built-in (Fully recessed).
- ? Place your Wine Chiller on a floor that is strong enough to support it when it is fully loaded.
- ? Allow 5 inches of space between the back and sides of the refrigerator, which allows the proper air circulation to cool the heat sink.
- ? Locate the Wine Chiller away from direct sunlight and sources of heat (stove, heater, radiator, etc.). Direct sunlight may affect the acrylic coating and heat sources may increase electrical consumption. Extreme cold ambient temperatures may also cause the unit not to perform properly.
- ? This refrigerator uses thermoelectric refrigeration technology (no compressor) and is not designed for storage in hot areas like garages, warehouses or outdoors since it is designed to operate at a maximum of 30 degrees below the ambient temperature.
- ? Avoid locating the unit in moist areas.
- ? Plug the Wine Chiller into an exclusive, properly installed-grounded wall outlet. Do not under any circumstances cut or remove the third (ground) prong from the power cord. Any questions concerning power and/or grounding should be directed toward a certified electrician or an

authorized Avanti Products service center.

- ? After plugging the appliance into a wall outlet, allow the unit to cool down for 2-3 hours before placing any items in the compartment.

### ⚡ Electrical Connection

#### **⚡ Warning ⚡**

Improper use of the grounded plug can result in the risk of electrical shock. If the power cord is damaged, have it replaced by an authorized Avanti Products service center.

This appliance should be properly grounded for your safety. The power cord of this appliance is equipped with a three-prong plug which mates with standard three prong wall outlets to minimize the possibility of electrical shock.

Plug the appliance into an exclusive properly installed-grounded wall outlet. Do not under any circumstances cut or remove the third (ground) prong from the power cord. Any questions concerning power and/or grounding should be directed toward a certified electrician or an authorized Avanti Products service center.

This appliance requires a standard 115/120 Volts A.C. ~/60Hz electrical outlet with three-prong ground.

The cord should be secured behind the appliance and not left exposed or dangling to prevent accidental injury.

Do not use an adapter plug with this appliance.

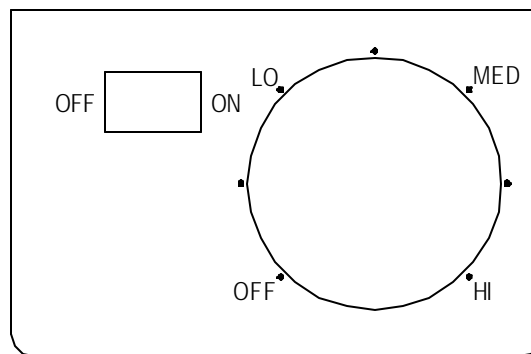
Do not use an extension cord with this appliance. If the power cord is too short, have a qualified electrician or service technician install an outlet near the appliance.

### ⚡ Reversing the Door Swing of Your Appliance

This appliance has the capability of the door opening from either the left or right side. The unit is delivered to you with the door opening from the left side. Should you desire to reverse the opening direction, please call service for reversal instructions.

## **OPERATING YOUR WINE CHILLER**

### ⚡ Temperature Control and Light Switch





✍ **Setting the Temperature Control**

- ? Your Wine Chiller has only one control for regulating the temperature. The temperature control is located on the upper right hand corner of the compartment.
- ? To control the internal temperature, adjust the control knob according to the ambient temperature or purpose of use.
- ? The first time you turn the unit on, set the temperature control to “MAX” position.
- ? The settings of temperature control are from “MIN” to “MAX”. After 2 hours, adjust the temperature control setting to “MED”. The setting of “MED” should be appropriate for home or office Wine Chiller use.

**NOTE:**

- ? The range between “MAX” and “MIN” is from 51° F to 62° F, which is ideal for the storage of most wines. The medium (MED) position on this unit is set at 55°F.
- ? Turning the temperature control to "OFF" position stops the cooling cycle but does not shut off the power to the appliance.

You must install your electronic Wine Chiller in a place where the ambient temperature is between 72-78 degrees Fahrenheit. If the ambient temperature is above or below recommended temperatures, the performance of the unit may be affected. For example, placing your unit in extreme cold or hot conditions may cause interior temperatures to fluctuate. The range of 51-62 degrees Fahrenheit may not be reached.

You can place two bottles on each shelf plus two on the bottom compartment.

Recommended temperatures for chilling wine:

	<u>Degrees</u>	<u>Control Position</u>
Red Wines:	57-62° F (14-17°C)	MIN
Dry/White Wines	54-57° F (12-14°C)	MED
Rose Wines	51-53° F (11-12°C)	MAX

✍ **Interior Light**

The light switch is located on the upper right hand corner of the compartment, on the temperature control box. You can turn the interior light ON or OFF by pressing the light switch.

✍ **Door Lock**

Your unit is provided with a lock and key combination.

The keys are located inside the plastic bag that contains the User’s Guide. Insert the key into the lock and turn it counterclockwise to unlock the door. To lock the door do the reverse operation making sure metal pin is engaged completely. Remove the key and place it in a secure place for safekeeping.

## **CARE AND MAINTENANCE**

✍ **Cleaning Your Wine Chiller**

- ? UNPLUG the Wine Chiller, and remove all items including shelves.
- ? Wash the inside surfaces with a warm water and baking soda solution. The solution should be about 2 tablespoons of baking soda to a quart of water.
- ? Wash the shelves with a mild detergent solution.
- ? Wring excess water out of the sponge or cloth when cleaning area of the controls, or any electrical parts.
- ? Wash the outside cabinet with warm water and mild liquid detergent. Rinse well and wipe dry with a clean soft cloth.

**CAUTION**

**Failure to unplug the Wine Chiller could result in electrical shock or personal injury.**

#### Power Failure

- ? Most power failures are corrected within a few hours and should not affect the temperature of your appliance if you minimize the number of times the door is opened. If the power is going to be off for a longer period of time, you need to take the proper steps to protect your contents.

#### Vacation Time

- ? **Short vacations:** Leave the Wine Chiller operating during vacations of less than three weeks.
- ? **Long vacations:** If the appliance will not be used for several months, remove all items and unplug the power cord. Clean and dry the interior thoroughly. To prevent odor and mold growth, leave the door open slightly: blocking it open if necessary.

#### Moving Your Wine Chiller

- ? Remove all bottles.
- ? Securely tape down all loose items (shelves) inside your appliance.
- ? Tape the door shut.
- ? Protect outside of appliance with a blanket, or similar item.

#### Energy Saving Tips

- ? The Wine Chiller should be located in the coolest area of the room, away from heat producing appliances, and out of the direct sunlight.
- ? One characteristic of thermoelectric units is the length of time it requires to recover from having the door opened and shut frequently. It may be necessary to wait longer for the temperature to return to its former level once the door has been opened for too long. This is normal for the type of unit.
- ? Thermoelectric technology costs just pennies to operate. It is environmentally friendly due to the lack of CFC's.

## PROBLEMS WITH YOUR WINE CHILLER?

You can solve many common Wine Chiller problems easily, saving you the cost of a possible service call. Try the suggestions below to see if you can solve the problem before calling the servicer.

### TROUBLESHOOTING GUIDE

PROBLEM	POSSIBLE CAUSE
Wine Chiller does not operate.	Not plugged in. The circuit breaker tripped or a blown fuse. The appliance temperature control is set at "OFF" position.
Wine Chiller is not cold enough.	Check the temperature control setting. External environment may require a higher setting. The door is opened too often. The door is not closed completely. The door gasket does not seal properly. The Wine Chiller does not have the correct clearances. Abnormal voltage.
The light does not work.	Not plugged in. The circuit breaker tripped or a blown fuse. The switch is in the "OFF" position.
Vibrations.	Check to assure that the Wine Chiller is level.
The door will not close properly.	The Wine Chiller is not level. The door was reversed and not properly installed. The gasket is dirty. The shelves are out of position.

## SERVICE FOR YOUR WINE CHILLER

We are proud of our customer service organization and the network of professional service technicians that provide service on your Avanti appliances. With the purchase of your Avanti appliance, you can have the confidence that if you ever need additional information or assistance, the Avanti Products Customer Service team will be here for you. Just call us toll-free.

### AVANTI PRODUCTS CUSTOMER SERVICES

Product Information 800-323-5029	Whatever your questions are about our products, help is available.
Part Orders 800-220-5570	You may order parts and accessories that will be delivered directly to your home by personal check, money order, Master Card, or Visa.
In-Home Repair Service 800-220-5570	An Avanti Products authorized service center will provide expert repair service, scheduled at a time that is convenient for you. Our trained servicers know your appliance inside and out.

<b>YOUR Avanti Products WARRANTY</b>	<b>Staple your sales receipt here. Proof of original purchase date is needed to obtain service under warranty.</b>
--------------------------------------	--

**WHAT IS COVERED**

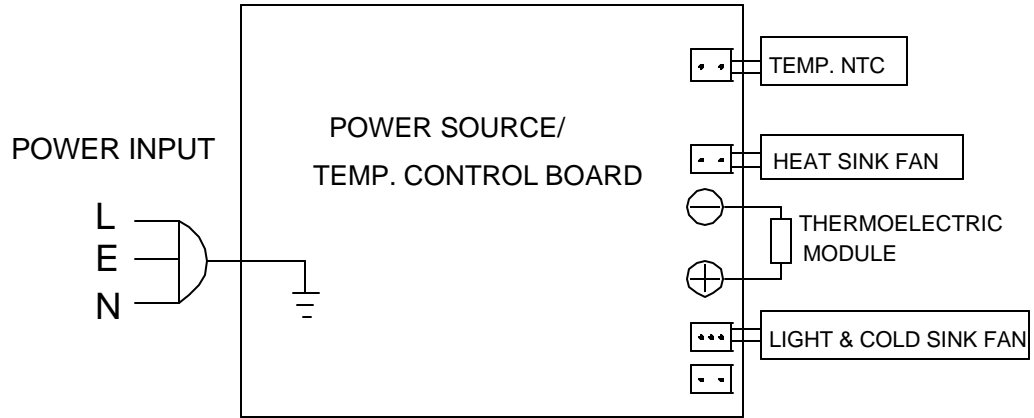
**LIMITED ONE-YEAR WARRANTY**

For one year from the date of purchase by the original owner, Avanti Products will, at its option, repair or replace any part of the unit, which proves to be defective in material or workmanship under normal use. During this period Avanti Products will provide all parts and labor necessary to correct such defects free of charge, so long as the unit has been installed and operated in accordance with the written instructions in this manual. In rental or commercial use, the warranty period is 90 days. All Avanti Appliances of 3.5 cubic feet capacity or less must be brought/sent to the appliance service shop for repair.

**WHAT IS NOT COVERED**

- ? Content losses of food or other, due to spoilage.
- ? Incidental or consequential damages.
- ? Parts and labor costs for the following will not be considered as warranty:
  - ? Door springs, and/or frames.
  - ? Inner door panels, door rails and/or door supports.
  - ? Light bulbs and/or plastic housing.
  - ? Plastic cabinet liners.
- ? Repairs performed by unauthorized servicers.
- ? Service calls that do not involve defects in material or workmanship such as customer education, door reversal, or proper installation.
- ? Service calls that are related to external problems, such as abuse, misuse, inadequate electrical power, accidents, fire, floods, or acts of God.
- ? Replacement of house fuses or resetting circuit breakers.
- ? Failure of the product if it is used for other than its intended purpose.
- ? This warranty does not apply outside the Continental USA.

# WIRING DIAGRAM



## **INSTRUCCIONES DE SEGURIDAD**

### **ATENCIÓN**

#### **INSTRUCCIONES PARA LA CONEXIÓN A TIERRA**

Este aparato electrodoméstico debe estar conectado a tierra. En caso de un cortocircuito eléctrico, la conexión a tierra reduce el riesgo de choque eléctrico proporcionando un cable a tierra con un enchufe de conexión a tierra. Este enchufe debe estar conectado en un tomacorriente instalado correctamente y conectado a tierra.

**ADVERTENCIA** – El uso inadecuado del enchufe de conexión a tierra puede resultar en un riesgo de choque eléctrico. Consulte con un electricista o persona de reparaciones competente si no comprenden bien las instrucciones de conexión a tierra o si existe alguna duda sobre si el aparato está conectado a tierra correctamente.

#### **NO USE UN CORDÓN DE PROLONGACIÓN ELÉCTRICA**

Use un tomacorriente de pared exclusivo. No conecte su vinera a cordones de prolongación eléctrica o junto a cualquier otro electrodoméstico en el mismo tomacorriente de pared.

#### **ADVERTENCIA IMPORTANTE:**

Una vinera vacía es una atracción muy peligrosa para los niños. Saque todas las juntas, pestillos, tapas o puerta de todo electrodoméstico que no esté en uso, o tome alguna medida para asegurar que no presente peligro.

## **INSTRUCCIONES DE INSTALACION**

Saque los embalajes exteriores, limpie bien el exterior con un paño suave seco, y el interior con un paño húmedo y tibio. Evite colocar la vinera cerca de una fuente de calor, luz de sol directa, o lugar húmedo.

### **Ubicación**

1. Seleccione un lugar con su piso fuerte y nivelado.
2. Deje cinco pulgadas de espacio entre la parte posterior de la vinera y toda pared contigua.
3. Las bodegas termoeléctricas necesitan cierto tiempo de recuperación cuando la puerta se abre y se deja abierta por mucho tiempo. Esto es normal para este tipo de unidad.
4. Evite la luz directa del sol o calor. La luz directa del sol puede afectar la capa de acrílico. Las fuentes de calor en su proximidad provocarán un consumo mayor de electricidad.
5. Para un mejor desempeño, nivele la vinera utilizando las patas ajustables o tornillos niveladores.

## **OPERACION**

Para evitar vibraciones, el compartimiento interior debe estar bien nivelado. Para encender la vinera, gire el control de temperatura a la posición que corresponda a la temperatura deseada. La temperatura variará dependiendo de la cantidad de botellas almacenadas y la frecuencia con que se abre la puerta.

Cuando la vinera no se use por un período largo, desconecte el enchufe y deje la puerta entreabierta.

CONTROL DE TEMPERATURA E INTERRUPTOR DE LUZ: (Instalado en la parte superior derecha)  
Para controlar la temperatura dentro del refrigerador para vinos.

- La primera vez que encienda la unidad, gire el control a la posición "MAX".
- Después de 2 horas, mueva el control a la posición "MED".

Se recomienda que Ud coloque su vinera en un lugar donde la temperatura ambiental se mantenga entre 23-25 grados centígrados.

Si la temperatura ambiental oscila afuera de esos límites, pueda afectar la temperatura de la caja. Por ejemplo, si su unidad está situada en lugares donde hay temperaturas muy frías o calientes también puede afectar la temperatura de la caja y no alcanzar los límites.

Si la bombilla interior está siempre encendida, la temperatura interior estará más elevada.

Ud puede colocar 12 botellas dentro del compartimiento de su unidad (2 por rejilla) incluyendo 2 en la base.

Temperaturas recomendadas para enfriar vinos:

	<u>GRADOS</u>	<u>POSICION DEL CONTROL</u>
Vinos blancos:	12 - 14° C	MED
Vinos rosados:	11 - 12° C	MAX
Vinos tintos:	14 - 17° C	MIN

NOTA: En la guía marcada "MAX" la temperatura marca 11°C. EN la guía marcada "MIN" la temperatura marca 17°C. La guía marcada "MED" está regulada para 13°C.

#### **Luz interior**

La luz interior se controla manualmente y no funciona al abrir ni cerrar la puerta. Para prender o apagar la luz, presione el interruptor manual de la luz, ubicado en el control de temperatura.

#### **Cerradura de la puerta**

Su unidad viene equipada con una combinación de cerradura y llave.

Las llaves (2) están dentro de la bolsa plástica junto al manual de instrucciones.

Introduzca la llave en la cerradura y gírela hacia la izquierda para abrir la puerta.

Para cerrarla, gire la llave hacia la derecha.

Quite la llave y colóquela en un lugar seguro para evitar que se pierda.



## CUIDADO Y MANTENIMIENTO

### Limpieza

Para limpiar el interior, use un paño suave con una solución de una cucharada de bicarbonato de sodio por cada cuarto de agua, o una solución de espuma de jabón suave, o un detergente suave. Para lavar las rejillas, sáquelas deslizándolas con cuidado, y use una solución de detergente suave; luego séquelas con un paño suave. Limpie el exterior con un paño húmedo suave y un poco de detergente suave o productos de limpieza para electrodomésticos.

### Período de vacaciones

Para períodos cortos de vacaciones, deje los controles en la posición "MED". Durante ausencias más largas;

- (a) saque todas las botellas,
- (b) desconecte la vinera del tomacorriente,
- (c) limpie bien la vinera,
- (d) deje la puerta abierta para evitar la formación de condensación, moho u olores.

### Corte de corriente

La mayoría de los cortes de corriente se corrigen en una o dos horas y no afectarán las temperaturas de su vinera. Sin embargo, Ud. deberá reducir la cantidad de veces que abra la puerta cuando la corriente esté apagada. Durante los cortes de corriente de larga duración, tome medidas para proteger sus botellas de vino.

### Si Ud. se muda

Saque o asegure todos los artículos dentro de su vinera. Para evitar que los tornillos nivelantes se averíen, gírelos completamente hacia la base.

Algunas reglas importantes para el uso correcto de la vinera.

- ? Las bebidas deben guardarse en botellas cerradas.
- ? No sobrecargue el compartimiento interior.
- ? No abra la puerta a menos que sea necesario.
- ? Si la vinera se guardara sin uso por períodos largos, se sugiere que, luego de una limpieza cuidadosa, se deje la puerta entreabierta para permitir que el aire circule dentro de la caja y evitar una posible formación de condensación, moho u olores.
- ? Nunca cubra los estantes del compartimiento para vinos con papel de aluminio o cualquier otro material para cubrir estantes que puedan obstruir la circulación del aire.

**PRINTED IN CHINA**