



your dream [our passion]

DESTINATION
COLLECTION

series *5* five

Niagara 6060

- Whirlpool Bath
- Soaking Bath
- Aerobath™
- AeroWhirl™



The Niagara 6060 above as a whirlpool bath in Fawn Beige.

The Niagara falls into a category of its own.

This two person corner unit features three separate neck supports and a dual jet, back massaging system.



PRODUCT SPECIFICATIONS

Niagara 6060

- Whirlpool Bath
- Soaking Bath
- Aerobath™
- AeroWhirl™

DIMENSIONS:

Whirlpool - 60" x 60" x 22"

Aerobath - 60" x 60" x 23"

WEIGHT: Whirlpool - 130 lbs.
Soaking Tub - 103 lbs.

OPERATING LEVEL: 80 US gals.

TO OVERFLOW: 110 US gals.

PUMP/MOTOR: U.L. listed, 2 Hp, 115v, 13.5 amp
1ph, 60hz, self-draining

SLOPE TO DRAIN: 1/4" per Ft.

STANDARD EQUIPMENT:

- 2 Hp, UL Listed Pump
- 5 Year Limited Warranty
- 6 Multi-Directional, Variable Volume, Hydromassage Jets (two of which are specially designed recessed lumbar jets)
- 1 Hair Safe Suction Assembly

ELECTRICAL REQUIREMENTS:

- Pump/Motor - 120v 20amp GFCI protected circuit (Dedicated)
- Optional In-Line Heater -120v 20amp GFCI protected circuit (Dedicated)
- Optional Ameri-Mood Bath Light - 120v 15amp GFCI protected circuit

PUMP CONTROL:

- Easi-Install (Installed Air Switch)

PACKAGING:

- Protective disposable installation liner

CUSTOM OPTIONAL ACCESSORIES:

- Special Bold and Pastel Acrylic Colors
- In-Line electric heaters
- Thermo Wave® non electrical heaters
- Ameritouch Control*
- Aventura Skirt
- Decorative Front Skirt
- Acrylic Handrail
- Acrylic nailing flanges for wall installation
- Accent Trim (see current price list)
- Accent Drains (see current price list)
- Bath Pillows - 12"
- Bath Lights
- Starburst Color Changing System
- Optional pump placement
- Additional Jets
- Select-a-Flow variable pump speed
- Ozone Purifying System

The Niagara 6060 below as a whirlpool bath in Ice Gray.

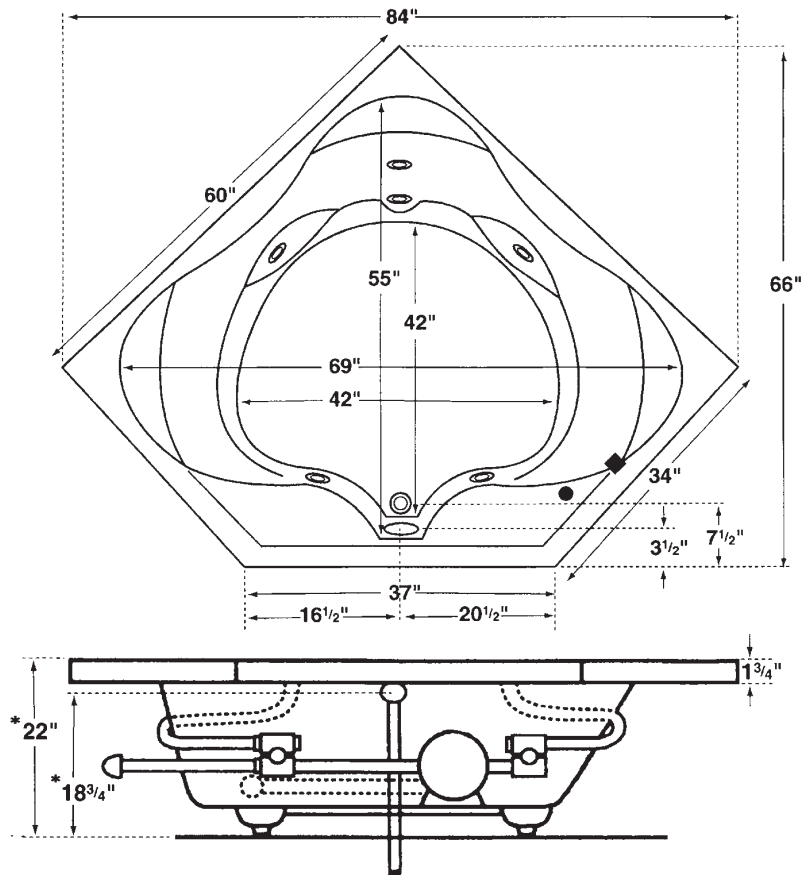


American Dreams Luxury Upgrades

- Option A: Pulsating Back Massage, (6 pulsating, sequenced micro jets)
- Option C: Pulsating Neck Massage, (2 jets)
- Available Luxury Upgrades: Options A, C and A/C

*Ameritouch is not available with Luxury Upgrades

- AeroWhirl™ is a combination Whirlpool Bath and Aerobath™



◆ Denotes standard pump location

● Denotes standard EASI-INSTALL air switch location

*Add 1" to overall height for Aerobath™ & Combination Baths. Dimensions with molded tile flange ±1/8".

Dimensions and specifications subject to change without notice. ©American Whirlpool, a division of the Praxis Companies, LLC.

3050 North 29th Court, Hollywood, Florida 33020

Tel: 954-921-4400 • WATS 800-327-1394 • FAX 954-921-4519 • www.americanwhirlpool.com