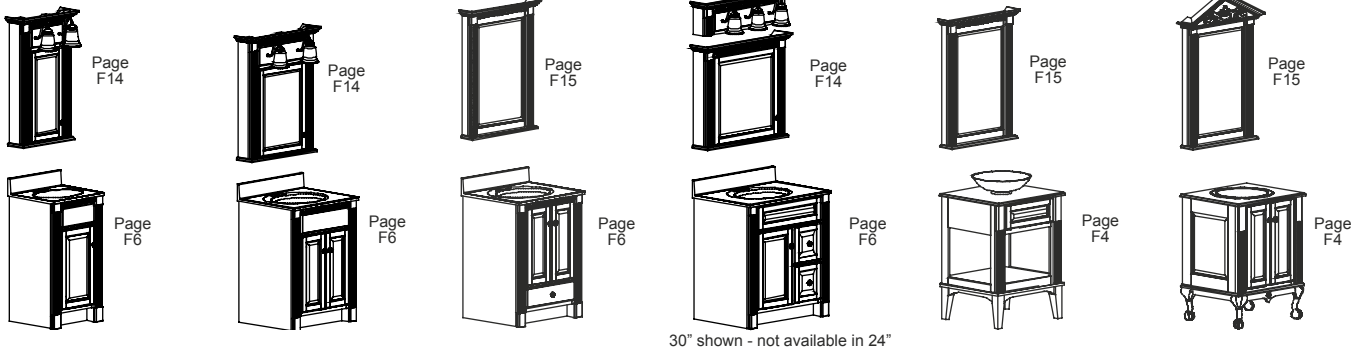


Pictorial Table of Contents

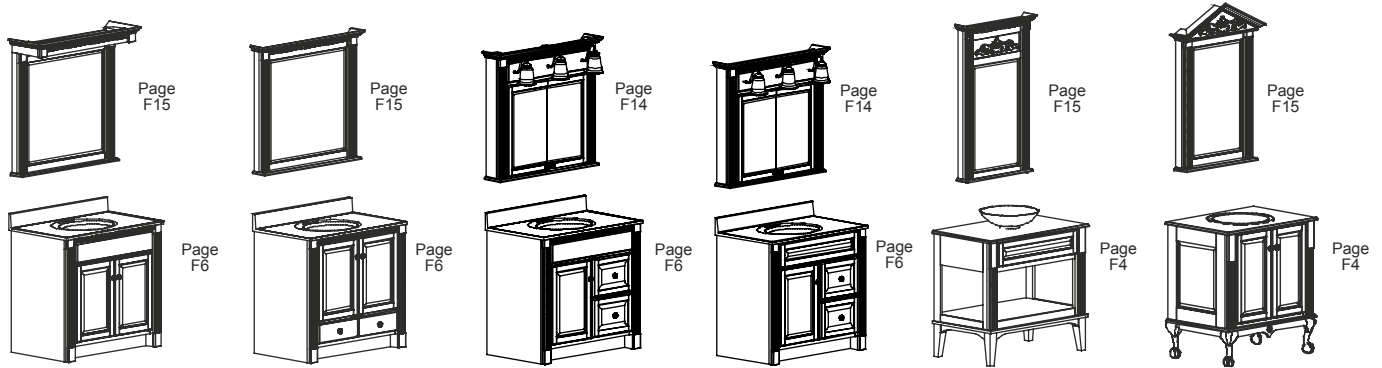
Example Ensembles: The ensembles (18" through 72") shown are some of our frequently selected ones. When the drawing has a note below it of: "Not available in ___" - this is making reference to the vanity moldel. We have many more choices than these shown. Collection page number is shown next to drawing. 18" Example (below): The mirrored cabinet with light is on page F14 and the vanity is on page F6.

18" Ensemble

24" and 30" Ensembles (24" models are shown)

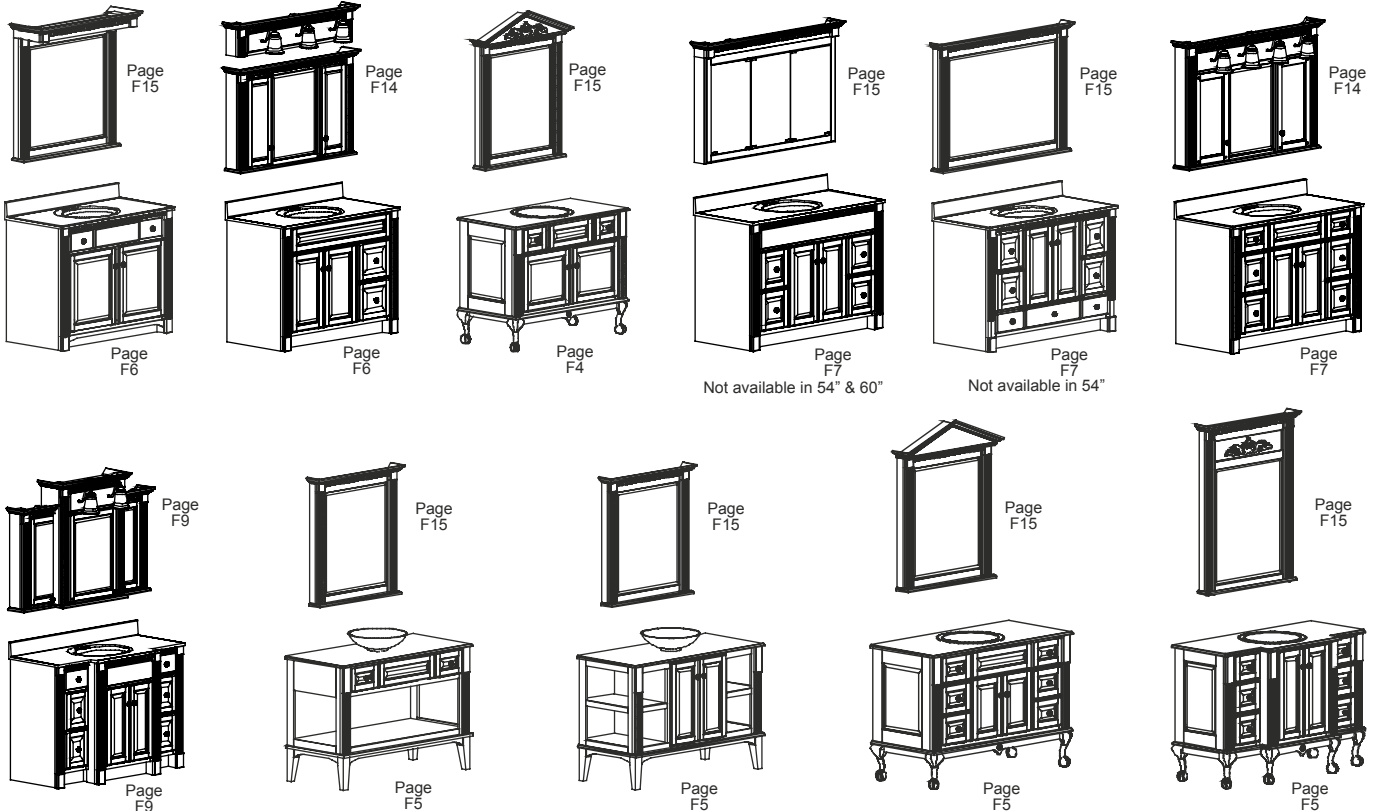


36" Ensembles



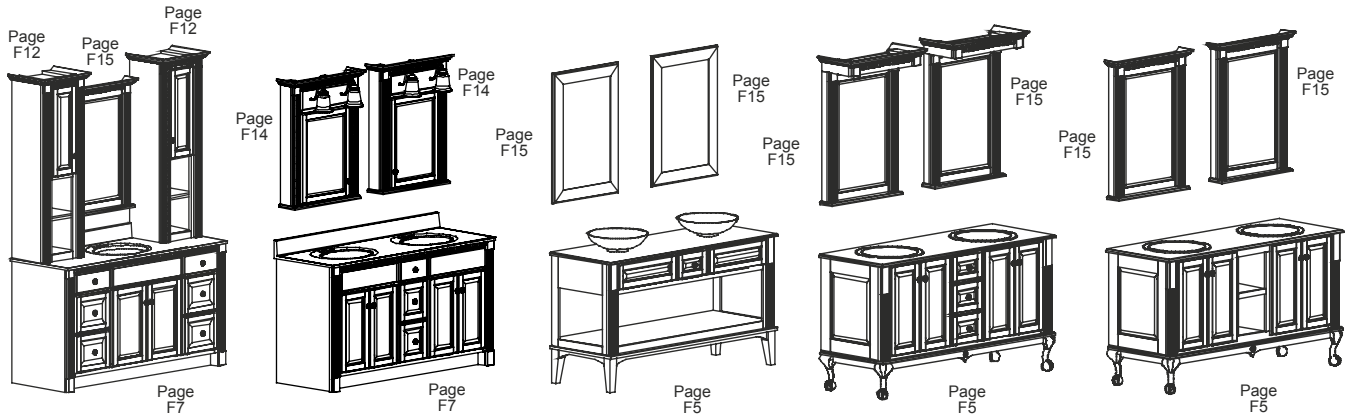
42" Ensembles

48", 54" and 60" Ensembles (48" models are shown)



Pictorial Table of Contents

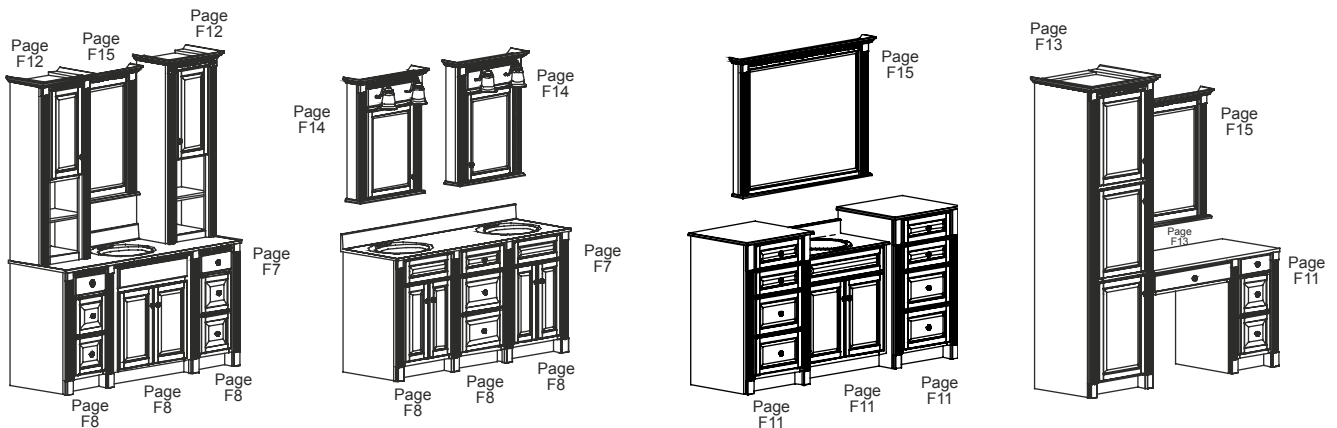
Additional 60" Ensembles



**66" and 72" Ensembles
(66" models are shown)**

**Base-to-Base
Vanity Ensemble**

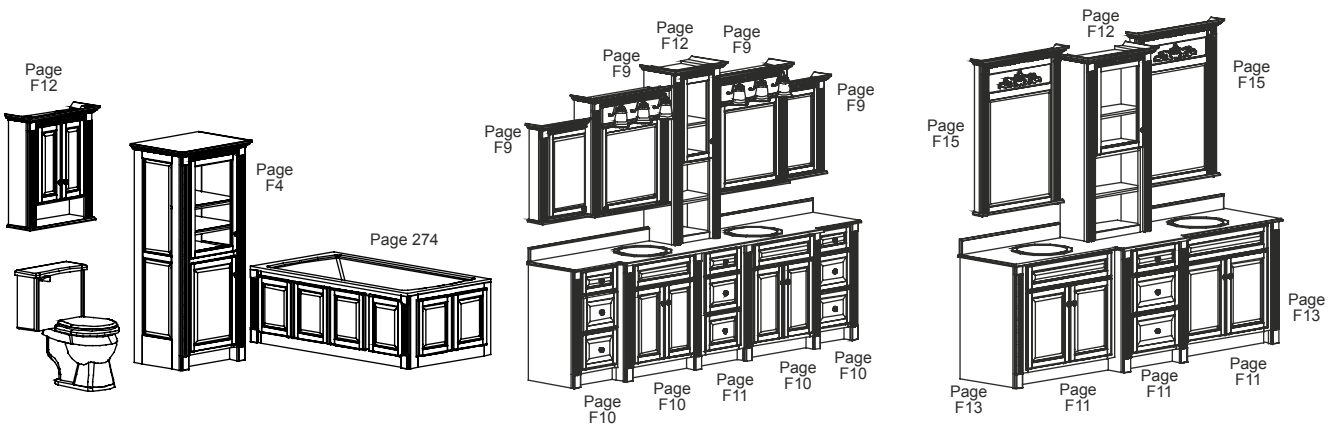
Linen Cabinet and Desk



**Toilet Topper, Linen Tower
& Tub Enclosure**

**Breakfronts Right Bowl,
Left Bowl & Drawer Stack**

**Ensemble with Drawer Stack,
Base-to-Base Vanities and Desk Ends**



For Quartz, Wood or Cultured Marble Vanity Tops see pages 302-309.