

Frigidaire

Factory Parts Catalog

Product No.	GL38CAEC	GL38LBEC	GL38LKEC	GL38NBEC	GL38NKEC
Series	38" elec/ign	38" elec/ign	38" elec/ign	38" elec/ign	38" elec/ign
Market	North America	North America	North America	North America	North America
Color	stainless	stainless	stainless	stainless	stainless
Owner's Guide	gl38en	gl38en	gl38en	gl38en	gl38en

 **Electrolux**

Electrolux Major Appliances
North & Latin America
P.O. BOX 212378
AUGUSTA, GA 30917

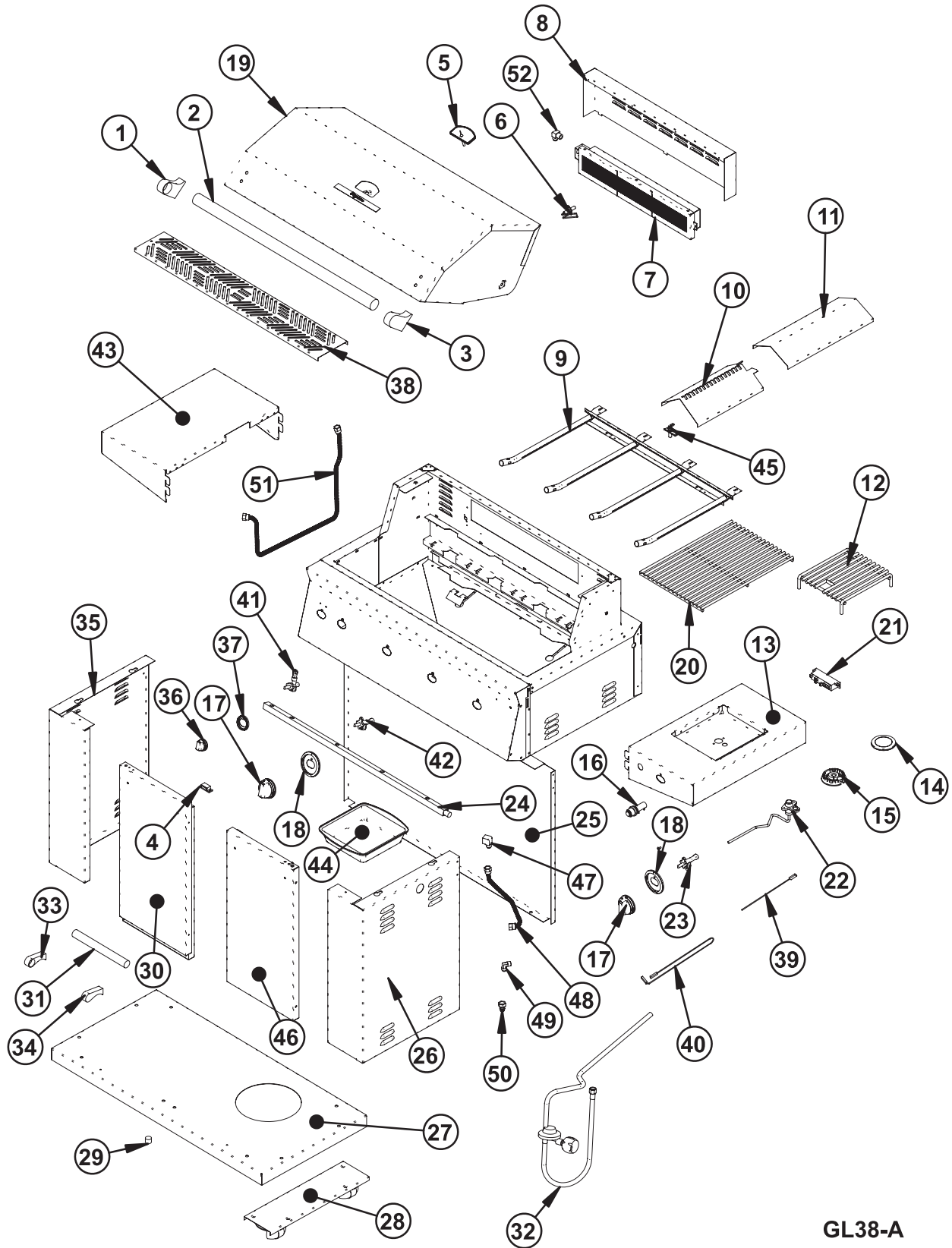
Publication No.
5995435939
05/05/02
(EN/SERVICE/BJH)
099

GAS GRILL

Model No.
GL38CAE / GL38LBE /
GL38LKE / GL38NBE /
GL38NKE

Copyright © 2005 Electrolux Home Products, Inc.
All rights reserved.

RECOMMENDED SPARE PARTS



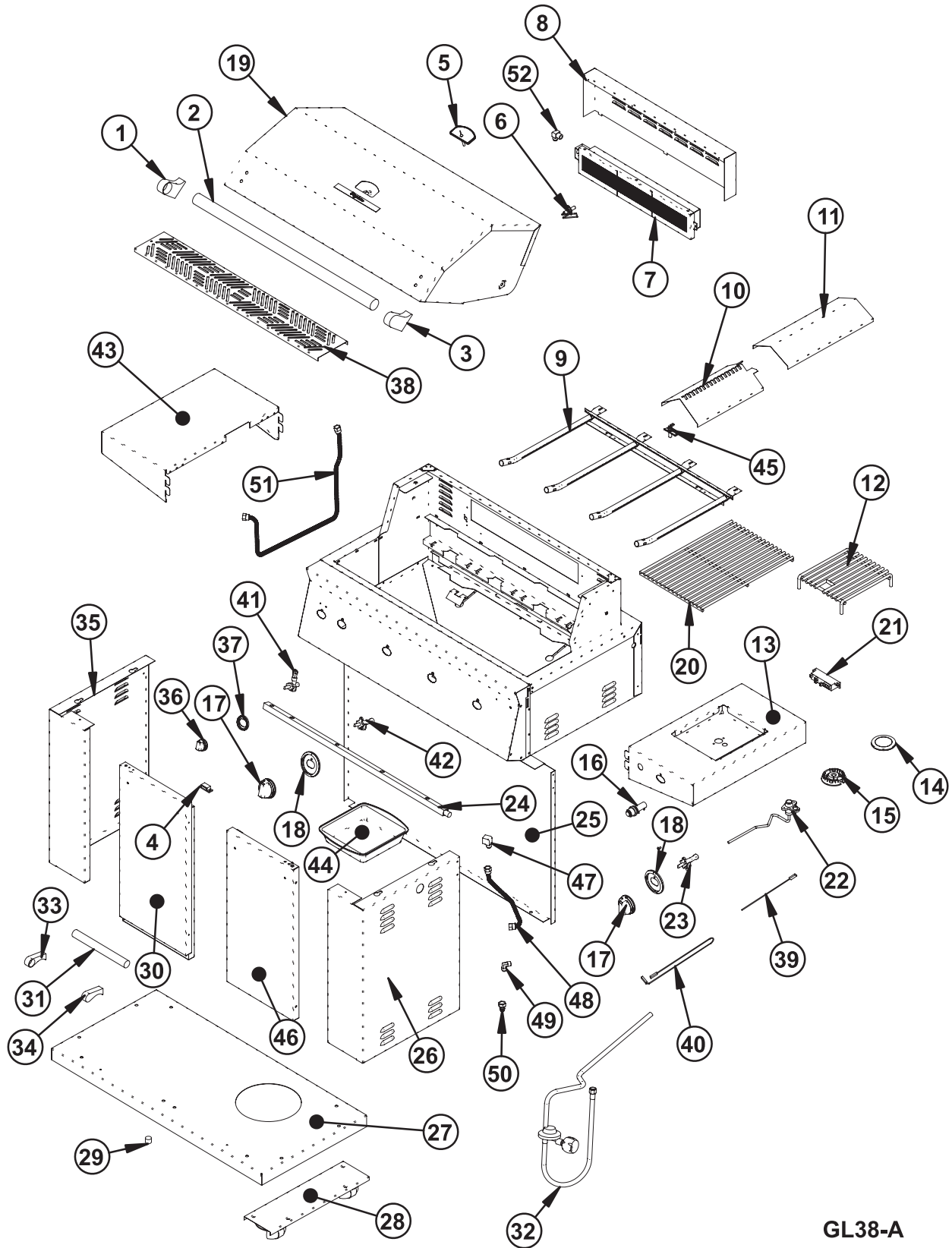
GL38-A

RECOMMENDED SPARE PARTS

Model Index: A GL38LKE (GL38LKEC)
 B GL38NKE (GL38NKEC)
 C GL38LBE (GL38LBE C)
 D GL38NBE (GL38NBEC)
 E GL38CAE (GL38CAEC)

POS. NO	PART NO.		DESCRIPTION
1	5304444388	A B C D -	Handle End, hood, left
2	5304444389	A B C D -	Handle, hood, 32 inch
3	5304444390	A B C D -	Handle End, hood, right
4	5304444391	A B - - E	Magnet, door
5 #	5304444392	A B C D -	Guage, temperature
6	5304444393	A B C D -	Electrode, infrared burner, back
7	5304444395	A B C D -	Burner, IR, back
8	5304444396	A B C D -	Cover, infrared burner
9 #	5304444397	A B C D -	Burner, main
10	5304444398	A B C D -	Flavor Grid, igniter cover, bottom, angle
11	5304444399	A B C D -	Flavor Grid, burner cover, top, angle
12	5304444400	A B - - E	Grate, side burner
13	5304444401	A B - - E	Shelf, side burner
14	5304444402	A B - - E	Cap, side burner
15	5304444403	A B - - E	Burner Head, side burner
16	5304444404	A B - - E	Housing, igniter battery
17	5304444405	A B C D E	Knob, burner
18	5304444406	A B C D E	Bezel, knob
19	5304444407	A B C D -	Hood, grill
20	5304444408	A B C D -	Grate, main burner
21	5304444409	A B - - E	Module, ignitor spark
22	5304444410	A - - - E	Base, orifice, side burner, LP
22	5304444411	- B - - E	Base, orifice, side burner, NG
23	5304444412	A - - - E	Valve, burner, side, LP
23	5304444413	- B - - E	Valve, burner, side, NG
24 #	5304444414	A B C D -	Manifold
25	5304444415	A B - - E	Panel, cart, back
26	5304444416	A B - - E	Panel, cart, right side
27	5304444417	A B - - E	Base, cart
28	5304444418	A B - - E	Channel, wheel, swivel
29	5304444419	A B - - E	Door Stop
30	5304444420	A B - - E	Door, cart, left
31	5304444421	A B - - E	Handle, door, 9.375 inch
32 #	5304444422	A - C - -	Regulator, LP gas, dual hose
32 #	5304444424	- B - D -	Regulator, NG
32*	5304444423	A B - - E	Tubing, burner, side
33	5304444425	A B - - E	Handle End, door, left
34	5304444426	A B - - E	Handle End, door, right
35	5304444427	A B - - E	Panel, cart, left side
36	5304444428	A B C D -	Knob, infrared burner
37	5304444429	A B C D -	Bezel, infrared knob
38	5304444430	A B C D -	Shelf, warming rack
39 #	5304444431	A B - - E	Wire, igniter, positive
40 #	5304444432	A B - - E	Wire, igniter, negative
41	5304444433	A - C - -	Valve, IR burner, back, LP
41	5304444434	- B - D -	Valve, IR burner, back, NG

RECOMMENDED SPARE PARTS



GL38-A

RECOMMENDED SPARE PARTS

Model Index: A GL38LKE (GL38LKEC)
 B GL38NKE (GL38NKEC)
 C GL38LBE (GL38LBECE)
 D GL38NBE (GL38NBECE)
 E GL38CAE (GL38CAECE)

POS. NO	PART NO.		DESCRIPTION
42	5304444435	A - C - -	Valve, burner, main/side, LP
42	5304444436	- B - D -	Valve, burner, main/side, NG
43	5304444437	A B - - E	Shelf, left side
44	5304444438	A B C D -	Tray, drip pan
45 #	5304444439	A B C D -	Electrode, main burner
46	5304444440	A B - - E	Door, cart, right
47 #	5304447621	A B C D -	Elbow, gas fitting, manifold/hose
48 #	5304446174	A B C D -	Hose, gas, 10", main supply
49 #	5304447623	A B C D -	Elbow, main connection
50 #	5304447624	A B C D -	Fitting, main connection
51 #	5304447646	A B C D -	Hose, gas, infrared burner, rear
52 #	5304447618	A - C - -	Elbow, LP, IR burner rear, with orifice
52 #	5304447619	- B - D -	Elbow, NG, IR burner rear, with orifice
*	5304444448	A B C D -	Wire, ignitor, IR valve
*	5304444449	A B C D -	Wire, igniter, main burner, left & right
*	5304444450	A B C D -	Wire, igniter, main burner, right
*	5304444451	A B - - E	Wire, igniter, side burner
*	5304444441	A B C D -	Bolt, valve/manifold
*	5304444442	A B - - E	Bolt, wheel & cart
*	5304444443	A B - - E	Nut, door, bottom pivot
*	5304444444	A B - - E	Screw, door, bottom pivot
*	5304444445	A B C D E	Screw, bezel to valve
*	5304444446	A B - - E	Screw, hood handle end
*	5304444447	A B C D E	Screw, self-tapping