



## Destiny Shower Enclosure Installation Instructions

### **IMPORTANT**

Please read carefully the following instructions before installing your shower enclosure. If you have any questions on this shower enclosure installation - please call our technical support specialists Monday to Friday 9:00AM – 6:00PM EST at **1-866-731-8378 Option 3** or e-mail our technical support group at [\*\*support@BathAuthority.com\*\*](mailto:support@BathAuthority.com)

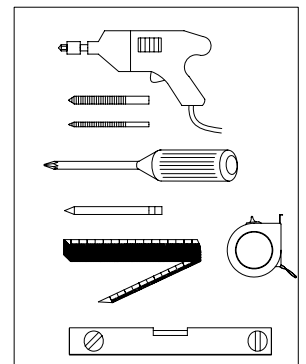
### **Preparation**

1. After opening the case, read this introduction carefully, check all the packed parts are complete by cross checking all the components against the “Diagram of Shower Enclosure Components”. Examine for shipping damage. If the unit has been damaged or has a finishing defect, please contact your local distributor within 2 business days. Please note that **Bath Authority™ / DreamLine™ will not replace any damaged product or parts free of charge, ONCE the product has been installed.** Your distributor’s responsibility for damage in transit is limited after the shower package has been transferred to the transportation company, so you may have to contact the transportation company directly to report damage. Contact your distributor or DreamLine if you have any questions.
2. You should make sure that the floor is leveled and solid and will be able to support the total weight of the unit and its occupant. You should also consult your local building codes on questions on installation compliance standards.
3. Install all of the required plumbing and drainage before securing the shower. **Use a competent and licensed (if required by local code) plumber for all plumbing installation.**
4. Please insure that prior to the installation the floor is leveled and the walls are at right angles. While some adjustment in leveling of the tray is possible, irregular floor level or improper angle of side walls will result in serious problems for your installation. Please, note that there are some adjustments and drilling might be necessary during the installation process.

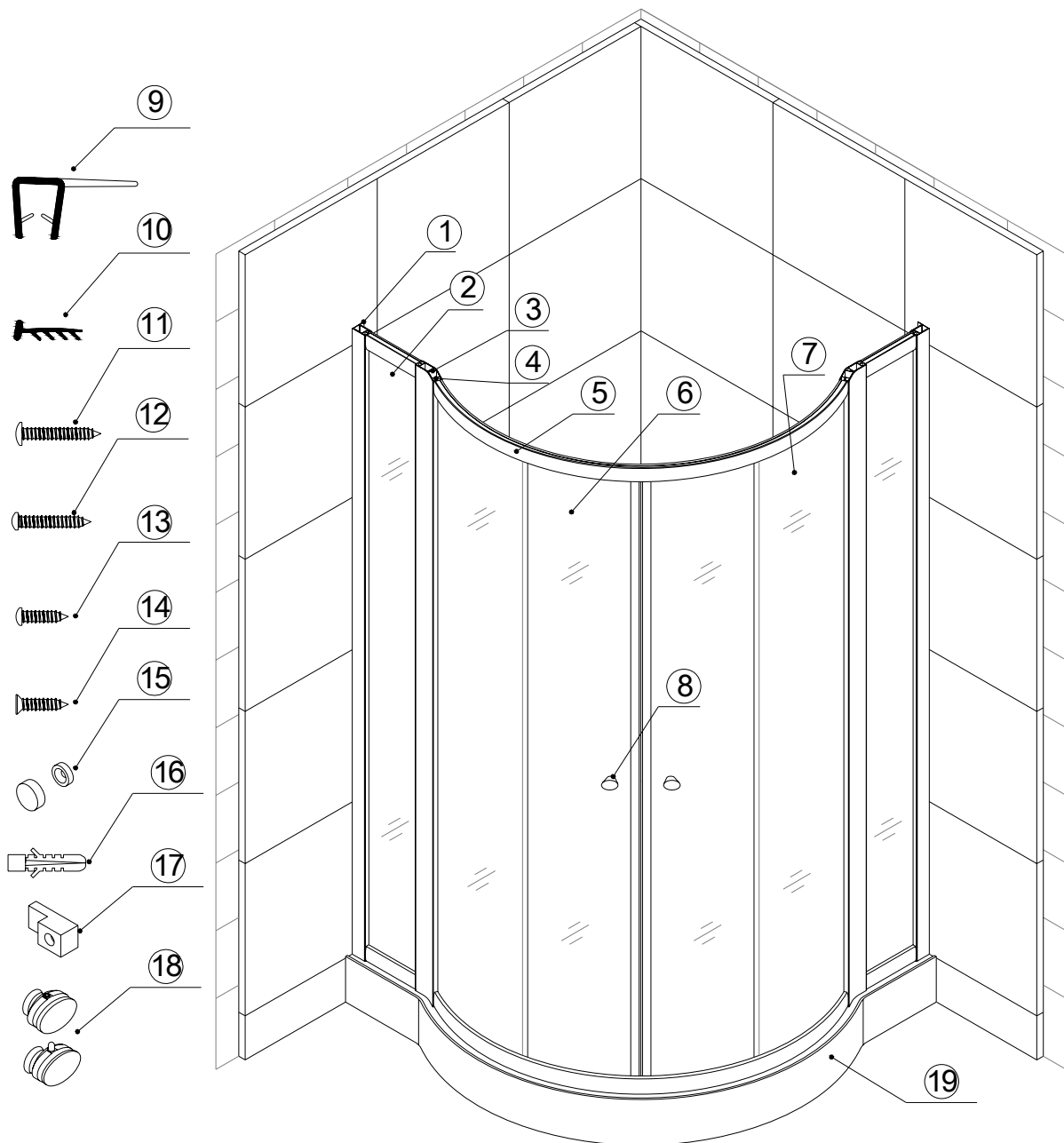
### **Tools Required**

Electric drill, Masonry drill bit (D=6mm not provided), Pencil, Phillips screwdriver, Slotted screwdriver, Tape measure, Spirit level with horizontal and vertical indicators.

Note: If glass has silk, print or molded designs, please put clear side toward inside.



## Detailed Diagram of Enclosure Components



### Packing List

01	Wall profile	2pcs	11	Screw ST4.2×30	8pcs
02	Side stationary glass	2set	12	Screw ST4.2×25	8pcs
03	Angle connection profile	2pcs	13	Screw ST4.2×10	12pcs
04	Glass profile	2pcs	14	Screw ST4.2×15	4pcs
05	Guide rail	2pcs	15	Screw cover	12set
06	Glass door	2pcs	16	Wall anchors	8pcs
07	Stationary glass	2pcs	17	Glass holder	4pcs
08	Handle	2pair	18	Single roller assemble	4pair
09	Anti water strip	4pcs	19	Tray	1pcs
10	Single side strip	2pcs			

**Now you have checked that all components are there, you are now ready to start the installation of your Dreamline shower enclosure.**

## Enclosure Installation

Install the shower tray as per the manufactures instructions making sure that tray is level in all directions.

1. Assemble Glass profile (4) with Guide rail (5) using ST4.2x25 round head self tapping screw (fig 3). Note that top Guide rail (fig 1) is different from bottom Guide rail (fig 2) - plastic stopper is in different direction.
2. Push the Stationary glass (7) into Glass profile groove, and then fasten it by Glass holder (16) to the Guide rail (fig 4).
3. Secure another side of Stationary glass inside of the Glass profile groove with Single side plastic strip (10). Push Single side plastic strip between glass and side of groove (fig 5).
4. Push the Angle connection profile (3) all way over the Glass profile; than push the Side stationary glass (2) into the Angle connection profile (fig 6).
5. Push the Wall profile (1) all the way over the Glass profile (2). Be sure to keep a tong with predrilled holes inside of shower (fig 6).
6. Carry the assembled unit (fig7) on the top of tray; push it against wall (fig 8). You can adjust position of the shower by pulling it partially out of the Wall profile.
7. Now adjust one of Wall profiles vertically using level and mark holes on the wall (fig 8). Using help to hold this profile in the right position, level another profile and mark holes. Gently move the assembled unit on the side, drill holes into the wall, insert anchors (16) (fig 9).
8. Place the whole shower assembly on the tray and attach it to the wall using ST4.2x30 screws (11).
9. Do final check and adjustment of the shower assemble position on the tray. Now drill small holes in the Wall profiles, Angle connection profiles and Glass profiles and connect it together using ST4.2x10 round head screws (13) and Screw covers (15) (fig 12). ( **Do not use a power screwdriver**)
10. Install the Roller assembles and the Hooks on the Glass door. Hang the Glass door on to guide rail (fig 10).
11. Hang the Hooks onto bottom guide rail.
12. Adjust the Roller assembly bottom screw up and down to make the door moving smoothly (fig 11).
13. Install Handle (8) on The Glass door.
14. Install Waterproof flanged strip (9). One on the Stationary glass (7) and another on the Glass door (on the side which is opposite of handles) (fig11).
15. Seal with silicon between Wall profile, Glass Profile, bottom rail and tray (fig 13).

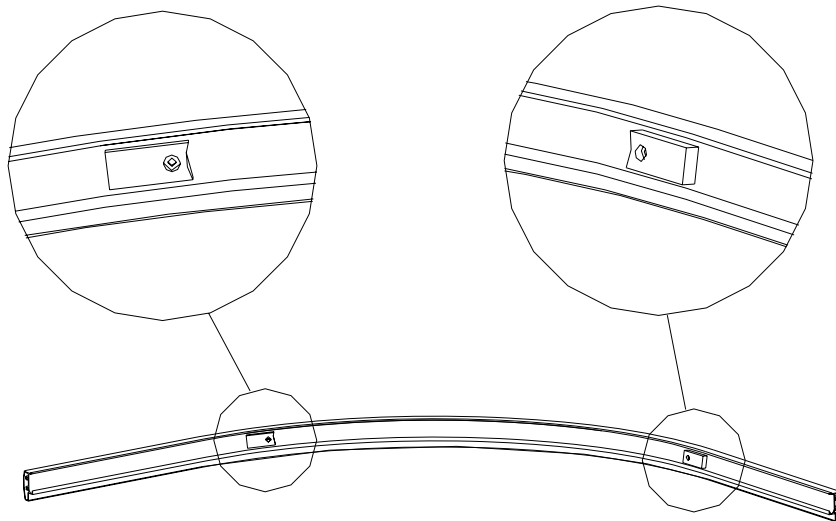


Fig 1

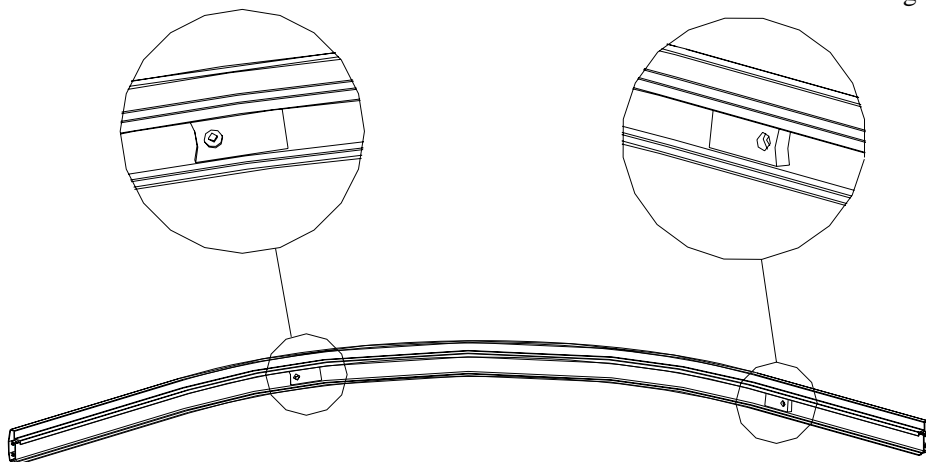


Fig 2

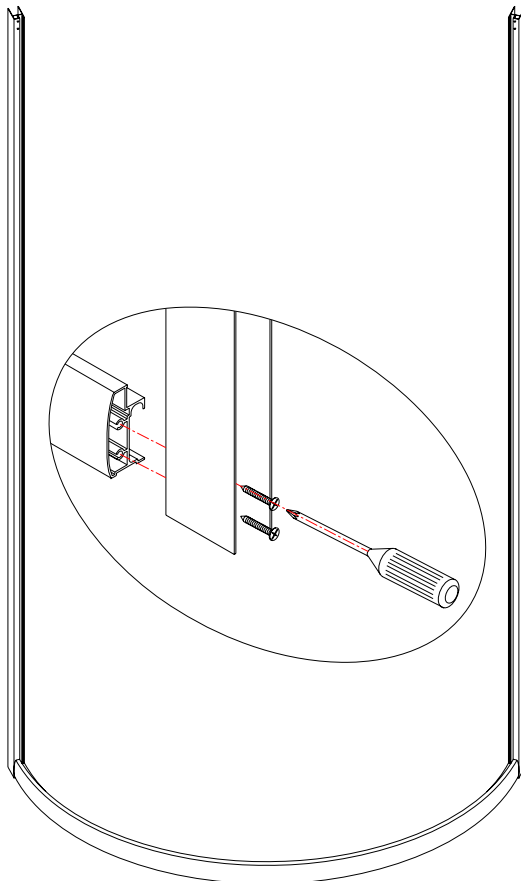


Fig 3

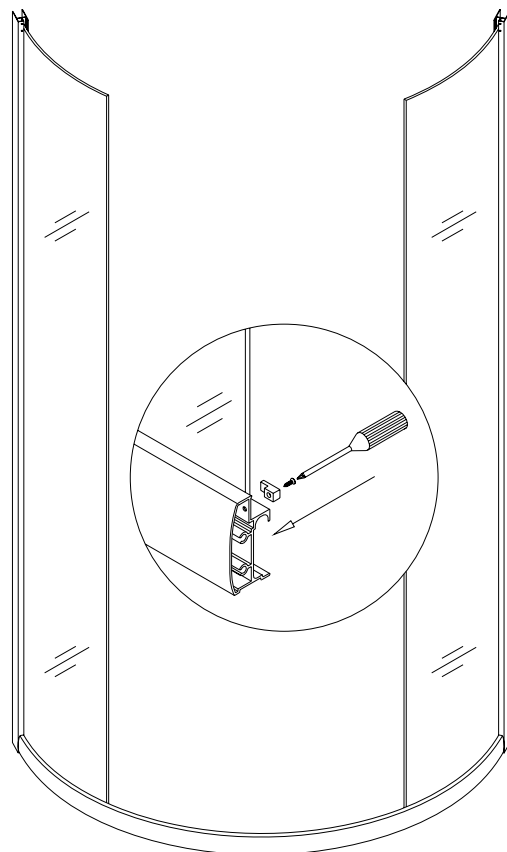


Fig 4

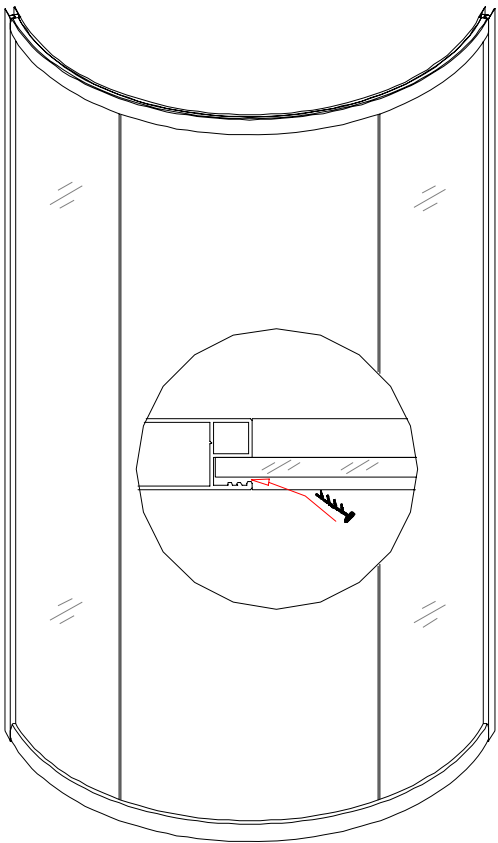


Fig 5

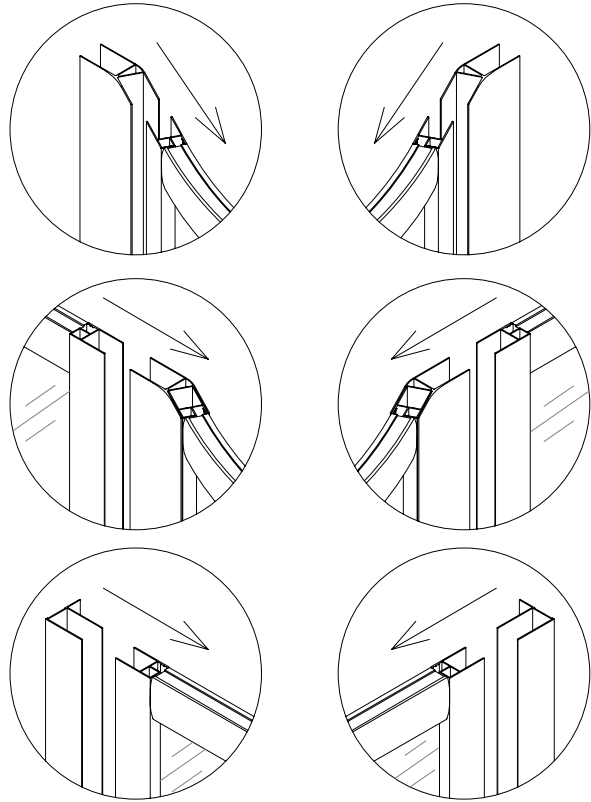


Fig 6

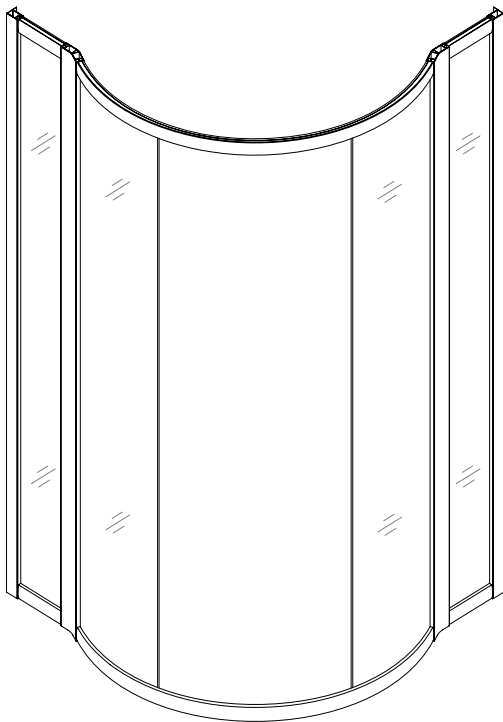


Fig 7

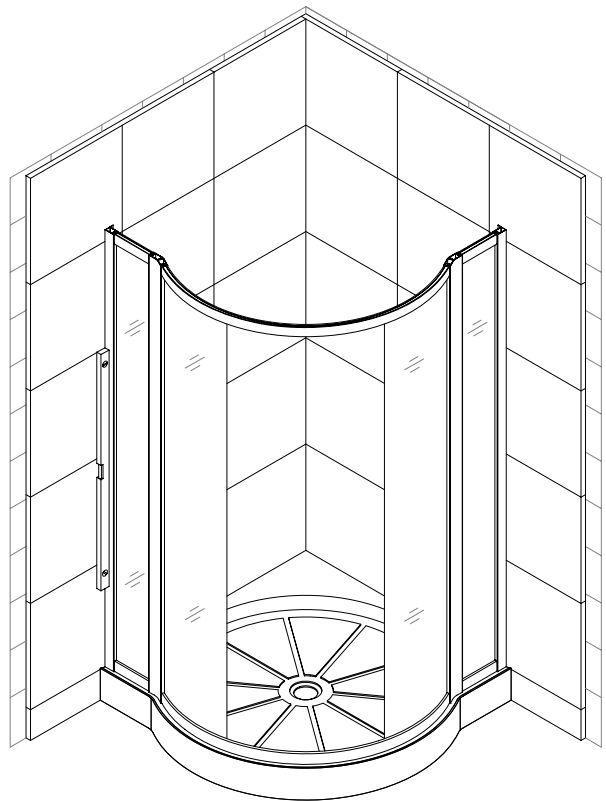


Fig 8

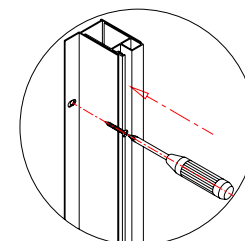
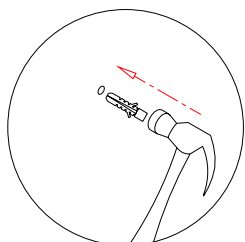
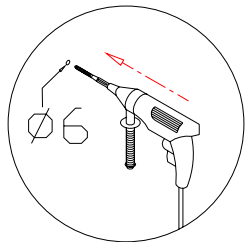
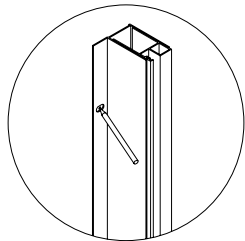


Fig 9

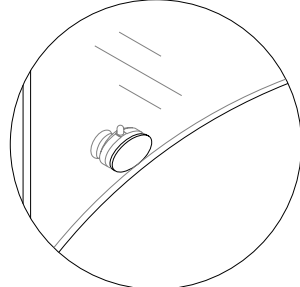
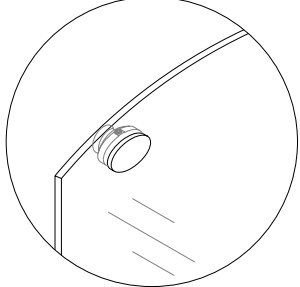
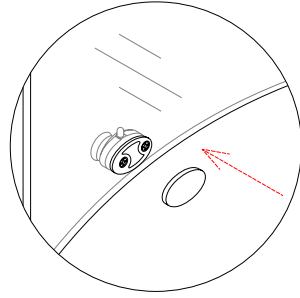
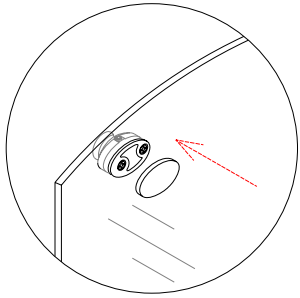
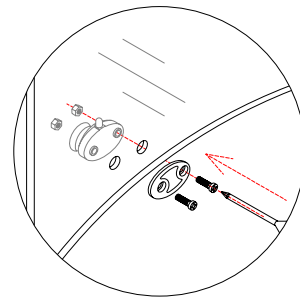
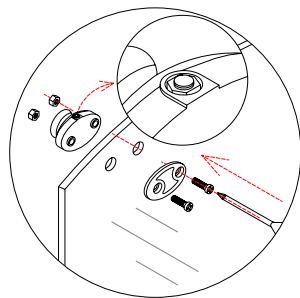


Fig 10

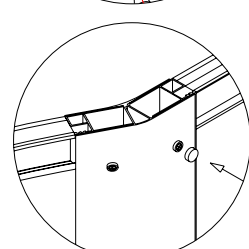
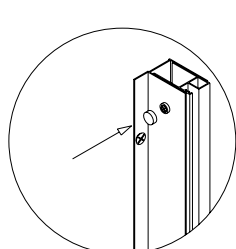
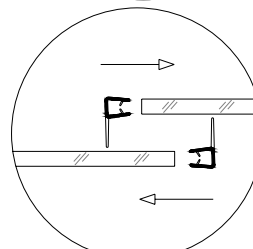
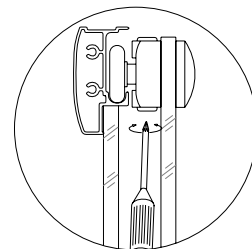
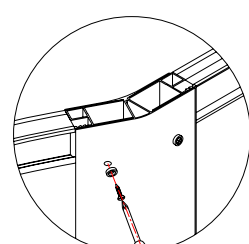
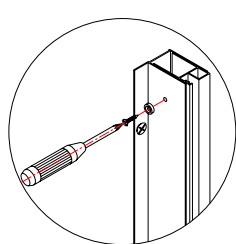
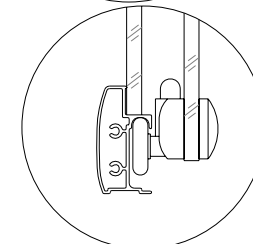
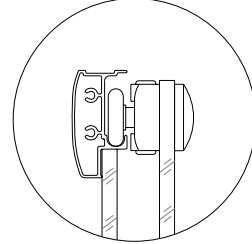
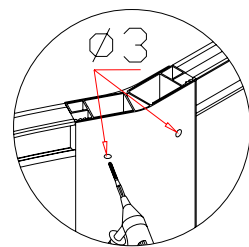
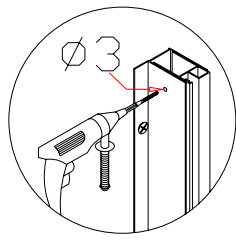
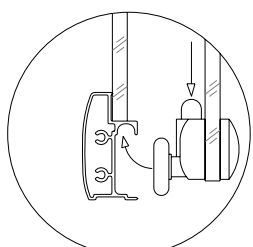
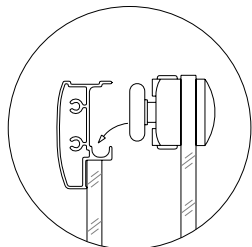


Fig 11

Fig 12

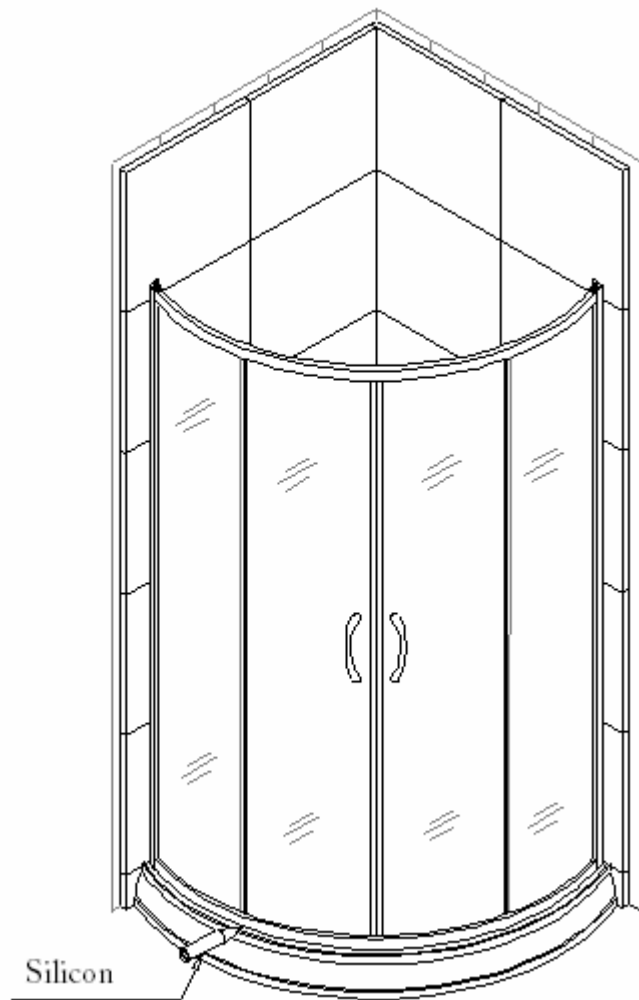


Fig. 13

## **Product Maintenance**

1. Tempered glass can be clean with nonabrasive bathroom cleaner or any glass cleaner you use elsewhere in your home. Rinse off any glass cleaner that gets on the aluminum as soon as possible to avoid damage to the anodized surface. Avoid striking it with any sharp or hard objects. Such damage can cause either immediate or delayed breakage of tempered glass.

2. The aluminum in your shower door is durable and resistant to water damage. It is advisable, but not necessary to wipe it with your towel after your shower. Clean it as often as needed to keep the buildup off. Never use any type of abrasive cleaner. Use only a soft damp cloth and nonabrasive bathroom cleaners.

3. Maintenance of wheel:

A: for plastic wheel, use a little lubricating oil to keep it smooth and long last.

B: for metal wheel except adding of oil, if shower has not been used for a long time, you can dry the wheel and put a little grease to keep it well working conditions.

C: Adjust wheel screw periodically to guarantee moving door effective bearing and sliding.

**Our product may have changes without prior notice**

# Bath Authority™ LLC / DreamLine™

## Shower Enclosure, Jetted/Steam Shower and Shower Columns

### Limited Warranty

#### CONSUMER RESPONSIBILITIES

Your DreamLine™ Shower Products will remain beautiful for many years if you take care of them. Some of the waterproofing plastic strips and other seals will need to be replaced when they show signs of wear, yellowing, or are not watertight. Refer to the parts list of your manual for all seals. Water conditions in various parts of the country will determine any extra cleaning attention you may have to give your new shower enclosure or jetted shower. DreamLine™ does not recommend the use of harsh abrasive cleansers on any of its products. Harsh cleansers will damage the metal or glass finish on your shower enclosure or jetted shower.

#### REQUESTING SERVICE

Here's what you need to do if you require service:

1. Contact the dealer who sold and/or installed the product. They should be able to solve any problems you may have.
2. If your dealer or contractor cannot solve the problem, they will contact or supply you with the name of the local DreamLine™ Distributor or a DreamLine™ Direct Technical Specialist
3. If you are unable to obtain warranty service through either your contractor or DreamLine™ distributor, please write us directly at

Bath Authority™ LLC / DreamLine™  
909 Louis Drive  
Warminster, PA 18974  
ATTN: Customer Service Department

4. Include all pertinent information regarding your claim, including a complete description of the product, model numbers, colors, finishes, and the date the product was installed. Include a description of the problem and a photocopy of your invoice and purchase receipt(s) for the products involved. Also please provide information on the name and contact telephone numbers of the contractor and distributor.

Please note that under any circumstances, DreamLine™ products should not be returned to your dealer, distributor or directly to DreamLine™ without a written Return Merchandise Authorization (RMA).

#### LIMITED ONE-YEAR WARRANTY

This warrantee extends only to the original owner/end-user for personal household use only. For commercial uses, additional limitations may apply.

DreamLine™ warrants acrylic surface against blistering or cracking and chipping resulting from defect in the acrylic surface material when used under normal condition and service for a period of one (1) year from the purchase date.

DreamLine™ warrants mirrors, shower doors, shower massage systems, faucet finishes and fittings to be free from defects in workmanship and materials under normal use and service for a period of one (1) year.

DreamLine™ further warrants the structure of the acrylic shell against loss of water through the fiberglass laminate of the acrylic body as a result of defect in materials and workmanship for a period of five (5) years from the purchase date.

DreamLine™ will, at its election, repair, replace, or make appropriate credit adjustment where DreamLine™ optional inspection discloses any such defects occurring in normal usage within the warrantee periods. **Please note that DreamLine™ is not responsible for any installation or removal costs.**

Improper modification of any enclosure, jetted shower or shower column components may void the warrantee - so please install the product as directed in the manual. This warrantee does not cover any claim arising from abuse, misuse, negligence, accident, improper installation or operations on the part of the purchaser. This warrantee is void if the DreamLine™ product is subject to alterations, or if repairs are attempted by anyone other than an authorized agent of DreamLine™. This warrantee does not extend to any plumbing or components installed by dealers, installers or by any party other than DreamLine™.

**Implied warranties, including that of merchantability or fitness for a particular purpose, are expressly limited in duration to the duration of this warranty. DreamLine™ disclaims any liability for special, incidental, or consequential damages.**

Some states do not allow limitations on how long an implied warranty lasts or the exclusion or limitation of special, incidental, or consequential damages, so these limitations and exclusions may not apply to you. This warranty gives you specific legal rights. You may also have other rights which vary from state to state. This limited warranty provides specific legal rights as they apply within the USA, and other rights may be available, but may vary from country to country.

***This is our exclusive written warranty for DreamLine™ Shower Enclosure, Jetted/Steam Shower and Shower Column purchases made after May 2004. DreamLine™ reserves the right to modify this warranty at any time, and the consumer understands that such modification will not alter the warranty conditions applicable at the time of the sale of the product.***



