

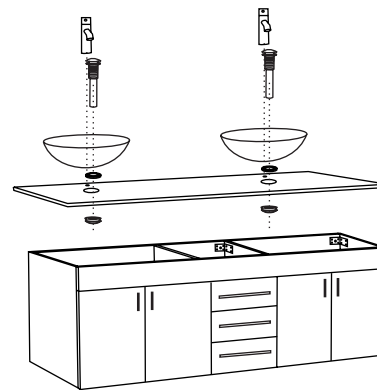
## MODEL:DEC004

NO.	ASSEMBLY NAME	QUANTITY	NO.	ASSEMBLY NAME	QUANTITY
(1)	CABINET	1	(7)	GASKET	2
(2)	HANDLE	7	(8)	POP-UP WASTE	2
(3)	SCREW	8	(9)	FAUCET	2
(4)	SELF-TAPPING SCREW	8	(10)	MIRROR	2
(5)	COUNTERTOP	1	(11)	SHELF	2
(6)	BASIN	2	(12)	DECORATIVE COVERS	4
			(13)	LAMP	2

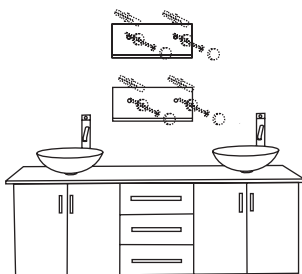
1



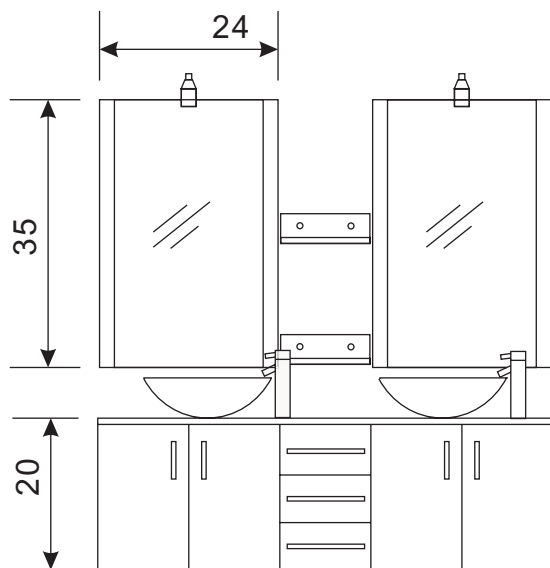
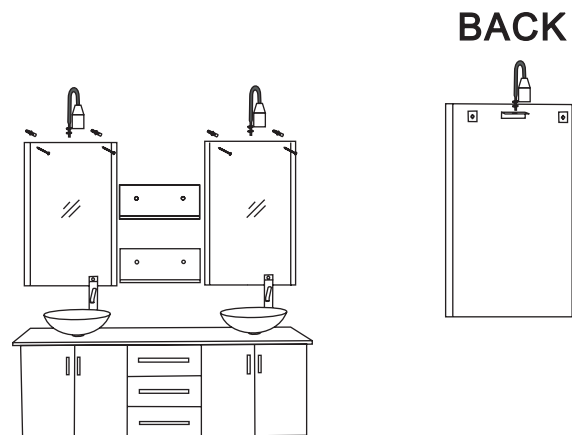
2



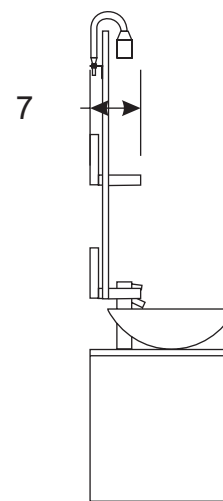
3



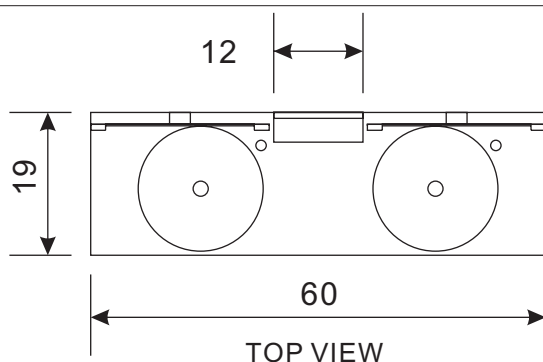
4



FRONT VIEW



SIDE VIEW



TOP VIEW

